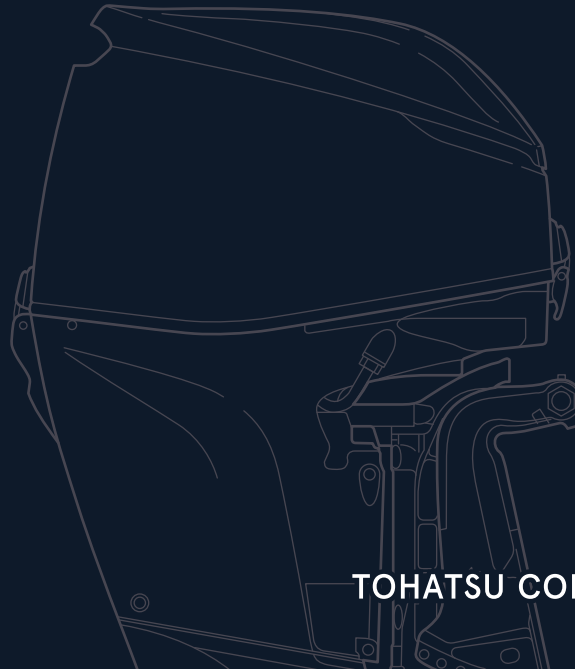


# OWNER'S MANUAL



BFT 60A  
BFW 60A



**TOHATSU CORPORATION**



 **WARNING**

The engine exhaust from this product contains chemicals known to the State of California to cause cancer, birth defects, or other reproductive harm.

**California Proposition 65**

This product contains or emits chemicals known to the state of California to cause cancer, birth defects or other reproductive harm

Keep this Owner's Manual handy, so you can refer to it at any time. This Owner's Manual is considered a permanent part of the outboard motor and should remain with the outboard motor if resold.

# INTRODUCTION

Congratulations on your selection of a TOHATSU outboard motor. We are certain you will be pleased with your purchase of one of the finest outboard motors on the market.

We want to help you get the best results from your new outboard motor and to operate it safely. This manual contains information on how to do that; please read it carefully.

As you read this manual you will find information preceded by a **NOTICE** symbol. That information is intended to help you avoid damage to your outboard motor, other property, or the environment.

We suggest you read the warranty policy to fully understand its coverage and your responsibilities of ownership.

When your outboard motor needs scheduled maintenance, keep in mind that your TOHATSU dealer is specially trained in servicing TOHATSU outboard motors. Your TOHATSU dealer is dedicated to your satisfaction and will be pleased to answer your questions and concerns.

Best Wishes,  
Tohatsu Corporation

# INTRODUCTION

---


## A FEW WORDS ABOUT SAFETY

Your safety and the safety of others are very important. And using this outboard motor safely is an important responsibility.

To help you make informed decisions about safety, we have provided operating procedures and other information on labels and in this manual. This information alerts you to potential hazards that could hurt you or others.

Of course, it is not practical or possible to warn you about all the hazards associated with operating or maintaining an outboard motor. You must use your own good judgment.

You will find important safety information in a variety of forms, including:

- **Safety Labels** – on the outboard motor.
- **Safety Messages** – preceded by a safety alert symbol  and one of three signal words, DANGER, WARNING, or CAUTION.

These signal words mean:

 **DANGER**

You **WILL** be **KILLED** or **SERIOUSLY HURT** if you don't follow instructions.

 **WARNING**

You **CAN** be **KILLED** or **SERIOUSLY HURT** if you don't follow instructions.

 **CAUTION**

You **CAN** be **HURT** if you don't follow instructions.

- **Safety Headings** – such as *IMPORTANT SAFETY INFORMATION*.
- **Safety Section** – such as *OUTBOARD MOTOR SAFETY*.
- **Instructions** – how to use this outboard motor correctly and safely.

This entire book is filled with important safety information – please read it carefully.

# CONTENTS

OUTBOARD MOTOR SAFETY .....	7	TRL (Trolling) Control Switch (optional equipment) .....	30
IMPORTANT SAFETY INFORMATION .....	7	Tilt Lock Lever .....	31
SAFETY LABEL LOCATION .....	9	Engine Cover Latches .....	31
CONTROLS AND FEATURES .....	11	Trim Tab .....	32
CONTROL AND FEATURE		INSTRUMENTS .....	33
IDENTIFICATION CODES .....	11	Trim Meter (optional equipment) .....	33
COMPONENT AND CONTROL LOCATIONS ....	12	Tachometer (optional equipment) .....	33
CONTROLS .....	20	Rudder Meter (optional equipment) .....	34
Tiller Handle Type (optional equipment)		Fuel Gauge (optional equipment) .....	34
Ignition Switch .....	20	INDICATORS .....	35
Emergency Stop Switch Clip and		Alternator (ACG) Indicator .....	35
Emergency Stop Switch .....	20	Malfunction Indicator .....	35
Throttle Grip .....	21	Oil Pressure Indicator .....	36
Throttle Friction Adjuster .....	22	Overheat Indicator .....	37
Gearshift Lever .....	22	Cooling System Indicator .....	37
Steering Friction Adjuster .....	23		
LRT Type (remote control)			
Side-Mount Control Type (optional equipment) ....	24		
Ignition Switch .....	24		
Emergency Stop Switch Clip and Emergency			
Stop Switch .....	25		
Gearshift/Throttle Control Lever .....	26		
Fast Idle Lever .....	27		
Common Controls .....	28		
Power Trim/Tilt Switch .....	28		
Power Tilt Switch (engine pan) .....	29		
Manual Relief Valve .....	30		

# CONTENTS

---

OTHER FEATURES .....	38	Normal Engine Stopping .....	61
Overrev Limiter .....	38	GEARSHIFT AND	
Portable Fuel Tank (optional equipment) .....	38	THROTTLE OPERATION .....	63
Fuel Filler Cap Vent Knob (optional equipment) .....	39	Tiller Handle Type .....	63
Fuel Priming Bulb .....	39	LRT Type (remote control)	
NMEA Interface Coupler .....	39	Side-Mount Control Type .....	64
Operating Hour Notification System .....	40	STEERING .....	65
Anodes .....	43	Tiller Handle Type .....	65
BEFORE OPERATION .....	44	Steering Friction Adjuster .....	65
ARE YOU READY TO GET UNDERWAY? .....	44	LRT Type (remote control) .....	65
IS YOUR OUTBOARD MOTOR		CRUISING .....	66
READY TO GO? .....	44	Trolling Speed Control	
Tiller Handle Height/Angle Adjustment		(optional equipment) .....	68
(Tiller Handle Type) .....	46	TRIM TAB .....	69
OPERATION .....	47	SHALLOW WATER OPERATION .....	70
SAFE OPERATING PRECAUTIONS .....	47	MOORING, BEACHING, LAUNCHING .....	71
BREAK-IN PROCEDURE .....	47	MULTIPLE OUTBOARD MOTORS .....	72
PORTABLE FUEL TANK (optional equipment) .....	48	SERVICING YOUR OUTBOARD MOTOR .....	73
FUEL HOSE CONNECTIONS .....	49	THE IMPORTANCE OF MAINTENANCE .....	73
FUEL PRIMING .....	50	MAINTENANCE SAFETY .....	74
INFREQUENT OR OCCASIONAL USE .....	50	TOOL KIT and OWNER'S MANUAL .....	75
STARTING THE ENGINE .....	51	EMERGENCY STARTER ROPE .....	75
Tiller Handle Type (optional equipment) .....	51	MAINTENANCE SCHEDULE .....	76
LRT Type (remote control)		TRIM TAB ADJUSTMENT .....	78
Side-Mount Control Type .....	54	MANUAL RELIEF VALVE .....	80
EMERGENCY STARTING .....	57		
STOPPING THE ENGINE .....	60		
Emergency Engine Stopping .....	60		

# CONTENTS

ENGINE COVER REMOVAL AND INSTALLATION .....	80	TRANSPORTING .....	106
Engine Oil Level Check .....	81	WITH OUTBOARD MOTOR INSTALLED ON BOAT .....	106
Engine Oil Change .....	83	WITH OUTBOARD MOTOR REMOVED FROM BOAT .....	106
Engine Oil Recommendations .....	84	TAKING CARE OF UNEXPECTED PROBLEMS .....	107
Spark Plug Service .....	85	ENGINE WILL NOT START .....	107
Lubrication Points .....	87	HARD STARTING OR STALLS AFTER STARTING .....	110
REFUELING .....	89	ENGINE OVERHEATS .....	111
FUEL RECOMMENDATIONS .....	91	FUSES .....	112
Fuel Filter/Water Separator Inspection and Service .....	92	Electric Starter Will Not Operate .....	112
Portable Fuel Tank and Tank Filter Cleaning (optional equipment) .....	95	Battery Will Not Charge .....	112
Anode Replacement .....	96	Fuse Replacement .....	113
Propeller Replacement .....	97	OIL PRESSURE INDICATOR TURNS OFF AND ENGINE SPEED IS LIMITED .....	115
CLEANING AND FLUSHING .....	99	OVERHEAT INDICATOR COMES ON AND ENGINE SPEED IS LIMITED .....	116
Cleaning and Flushing .....	99	SUBMERGED OUTBOARD MOTOR .....	118
STORAGE .....	101		
Fuel .....	101		
Engine Oil .....	104		
HOISTING THE OUTBOARD MOTOR .....	104		
STORAGE PRECAUTIONS .....	104		
REMOVAL FROM STORAGE .....	105		

# CONTENTS

---

TECHNICAL INFORMATION .....	120
Serial Number Locations .....	120
Battery .....	121
Emission Control System Information .....	121
Star Label .....	124
Specifications .....	126
CONSUMER INFORMATION .....	129
Emission Control System Warranty .....	129
INDEX .....	134



# OUTBOARD MOTOR SAFETY

## IMPORTANT SAFETY INFORMATION

The TOHATSU BFT60A/BFW60A outboard motors are designed for use with boats that have a suitable manufacturer's power recommendation. Other uses can result in injury to the operator or damage to the outboard motor and other property.

Most injuries or property damage can be prevented if you follow all instructions in this manual and on the outboard motor. The most common hazards are discussed in this chapter, along with the best way to protect yourself and others.

## Operator Responsibility

- It is the operator's responsibility to provide the necessary safeguards to protect people and property. Know how to stop the engine quickly in case of emergency. Understand the use of all controls.
- Stop the engine immediately if anyone falls overboard, and do not run the engine while the boat is near anyone in the water.
- Always stop the engine if you must leave the controls for any reason.
- Attach the emergency stop switch lanyard securely to the operator.
- Always wear a PFD (Personal Flotation Device) while on the boat.
- Familiarize yourself with all laws and regulations relating to boating and the use of outboard motors.
- Be sure that anyone who operates the outboard motor receives proper instruction.
- Be sure the outboard motor is properly mounted on the boat.
- Do not remove the engine cover while the engine is running.

# OUTBOARD MOTOR SAFETY

---

## Refuel With Care

- Gasoline is extremely flammable, and gasoline vapor can explode. Refuel outdoors, in a well-ventilated area, with the engine stopped. Never smoke near gasoline, and keep other flames and sparks away.
- Refuel carefully to avoid spilling fuel. Avoid overfilling the fuel tank.
- After refueling, tighten the filler cap securely. If any fuel is spilled, make sure the area is dry before starting the engine.

## Carbon Monoxide Hazard

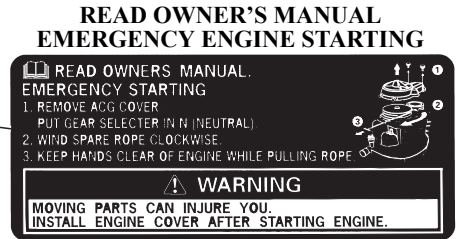
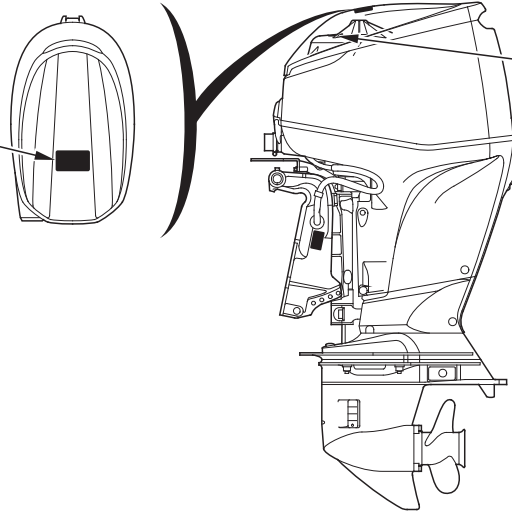
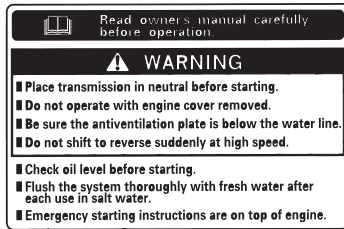
Exhaust contains poisonous carbon monoxide, a colorless, odorless gas. Breathing carbon monoxide can cause loss of consciousness and may lead to death.

If you run the engine in an area that is confined, or even partly enclosed, the air you breathe could contain a dangerous amount of exhaust gas.

Never run your outboard inside a garage or other enclosure.

# OUTBOARD MOTOR SAFETY

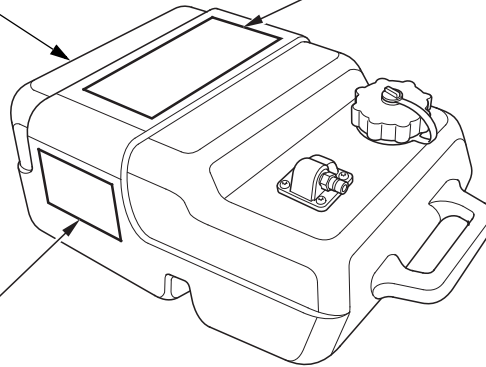
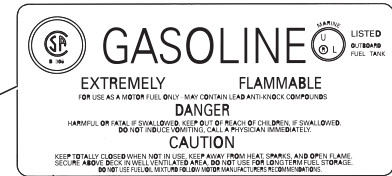
## SAFETY LABEL LOCATION



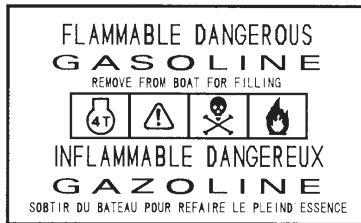
The labels shown here contain important safety information. Please read them carefully. These labels are considered permanent parts of your outboard motor. If a label comes off or becomes hard to read, contact an authorized TOHATSU dealer for a replacement.

# OUTBOARD MOTOR SAFETY

PORTABLE FUEL TANK (optional equipment)



FUEL CAUTION



# CONTROLS AND FEATURES

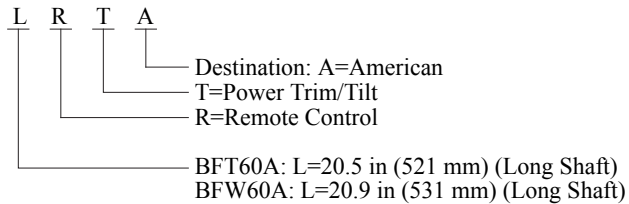
## CONTROL AND FEATURE IDENTIFICATION CODES

Model	BFT60A	BFW60A
Type	LRTA	LRTA
Shaft Length L	●	●
Tiller Handle	*	*
Remote Control	*	*
Power Trim/Tilt	●	●
Tachometer	*	*
Trim Meter	*	*
Rudder Meter	*	*
Tilt Limit Mechanism	*	*
Portable Fuel Tank (25 L)	*	*
TRL (Trolling) Control Switch	*	*
50° Steering Angle Rod	*	●

\*: Optional equipment

Refer to this chart for an explanation of the Type Codes used in this manual to identify control and feature applications.

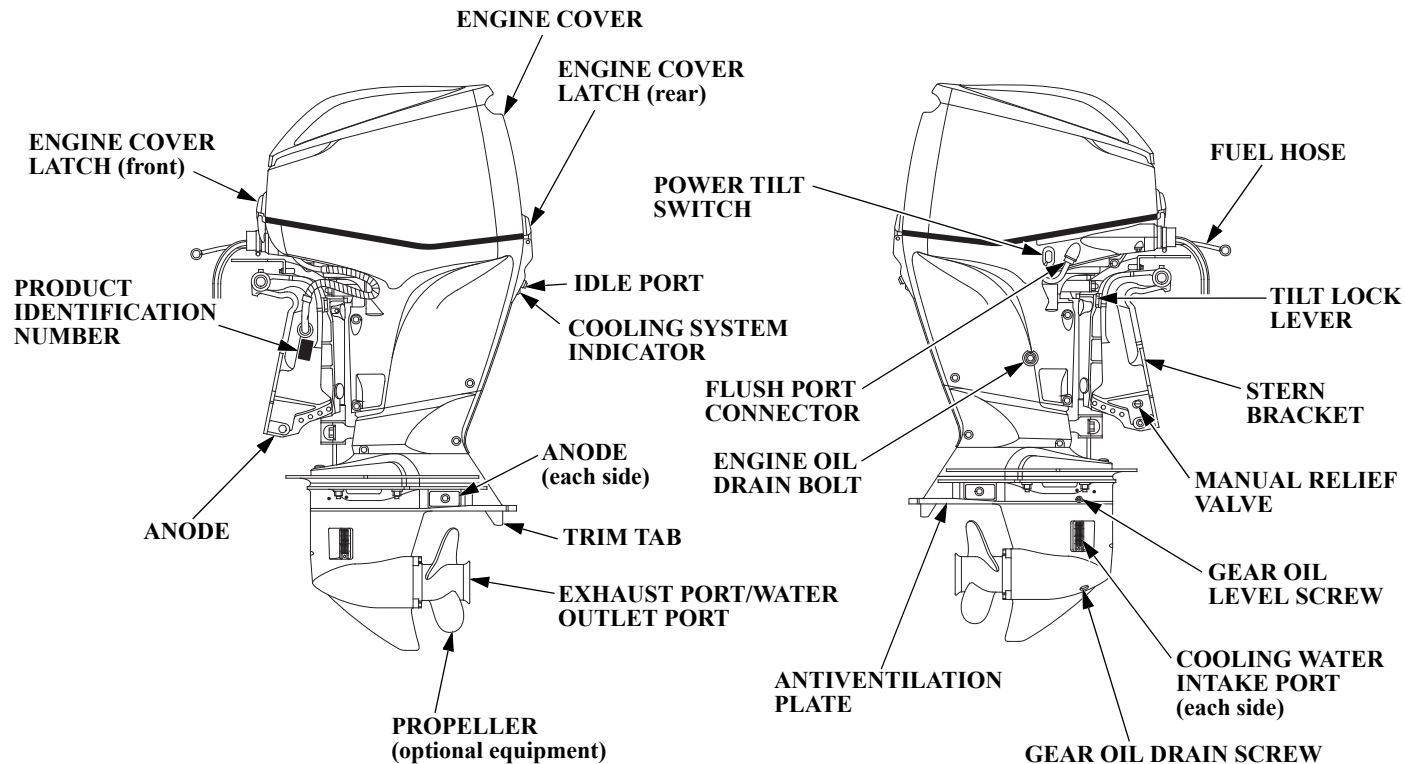
TYPE CODE (Example)



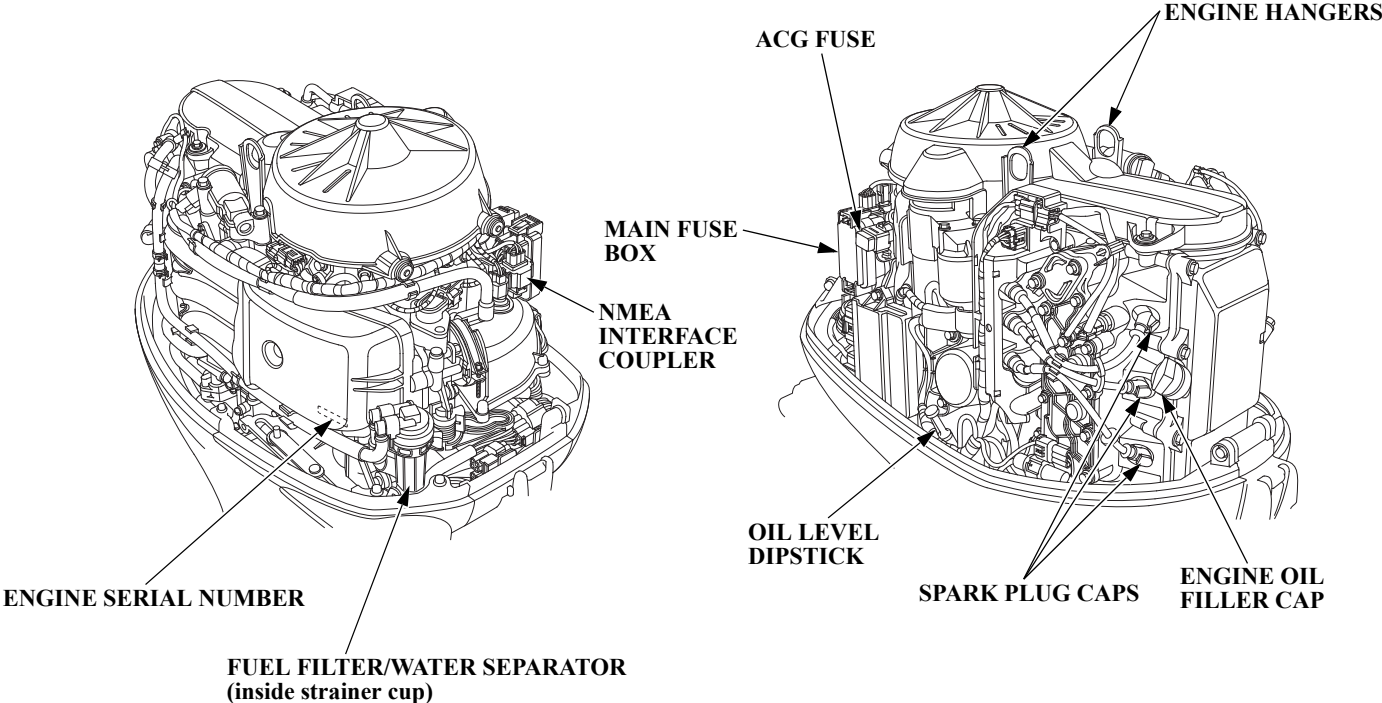
# CONTROLS AND FEATURES

## COMPONENT AND CONTROL LOCATIONS

LRT Type (remote control)

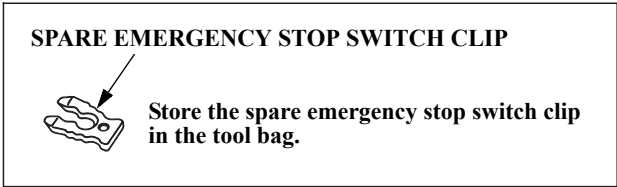
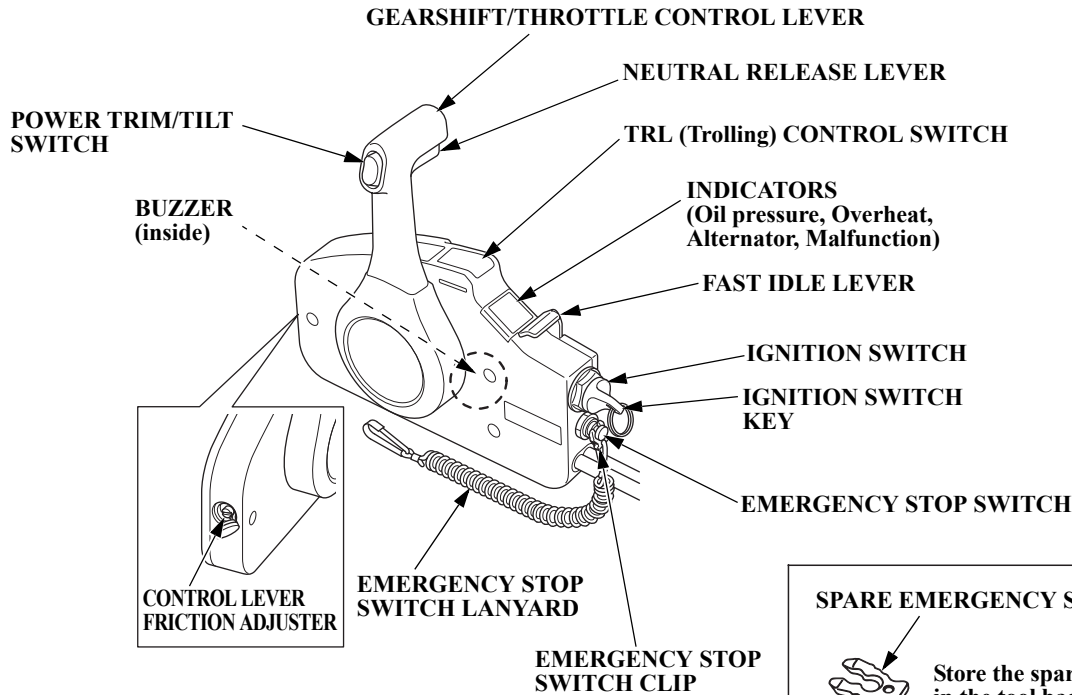


# CONTROLS AND FEATURES



# CONTROLS AND FEATURES

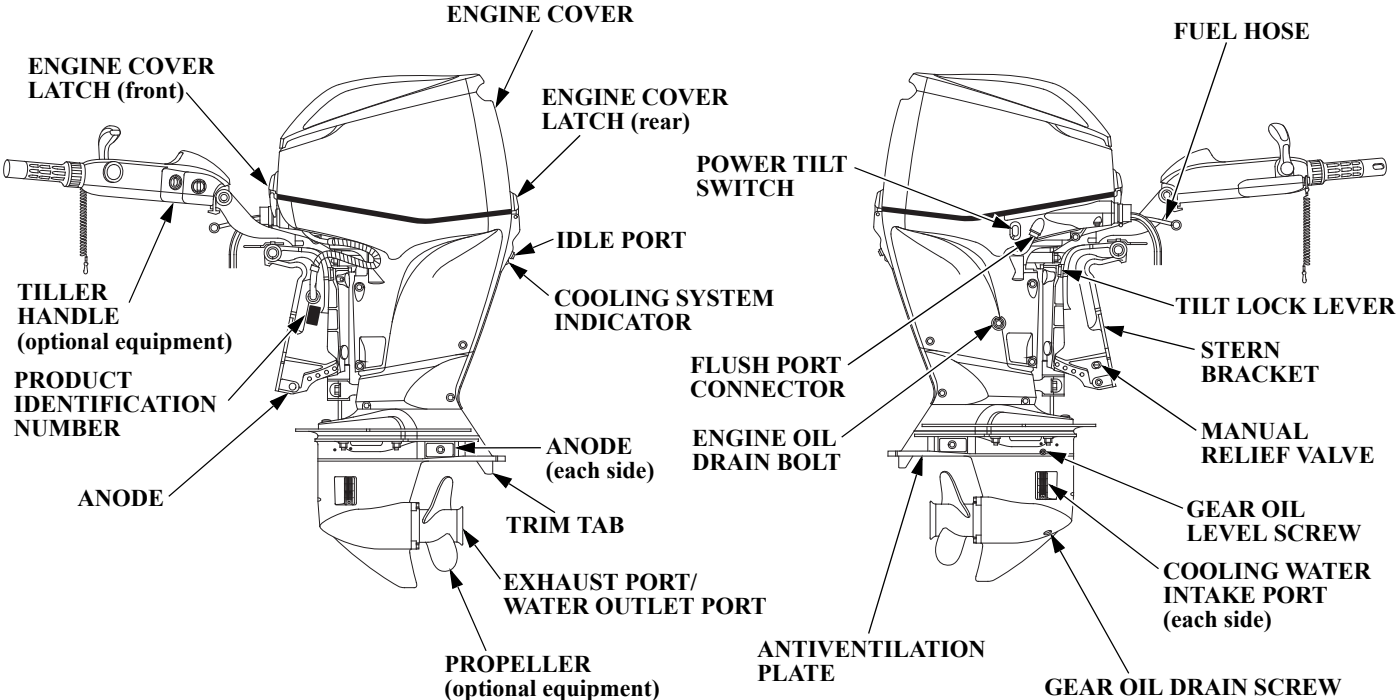
## Remote Control Box Side-Mount Control Type (optional equipment)





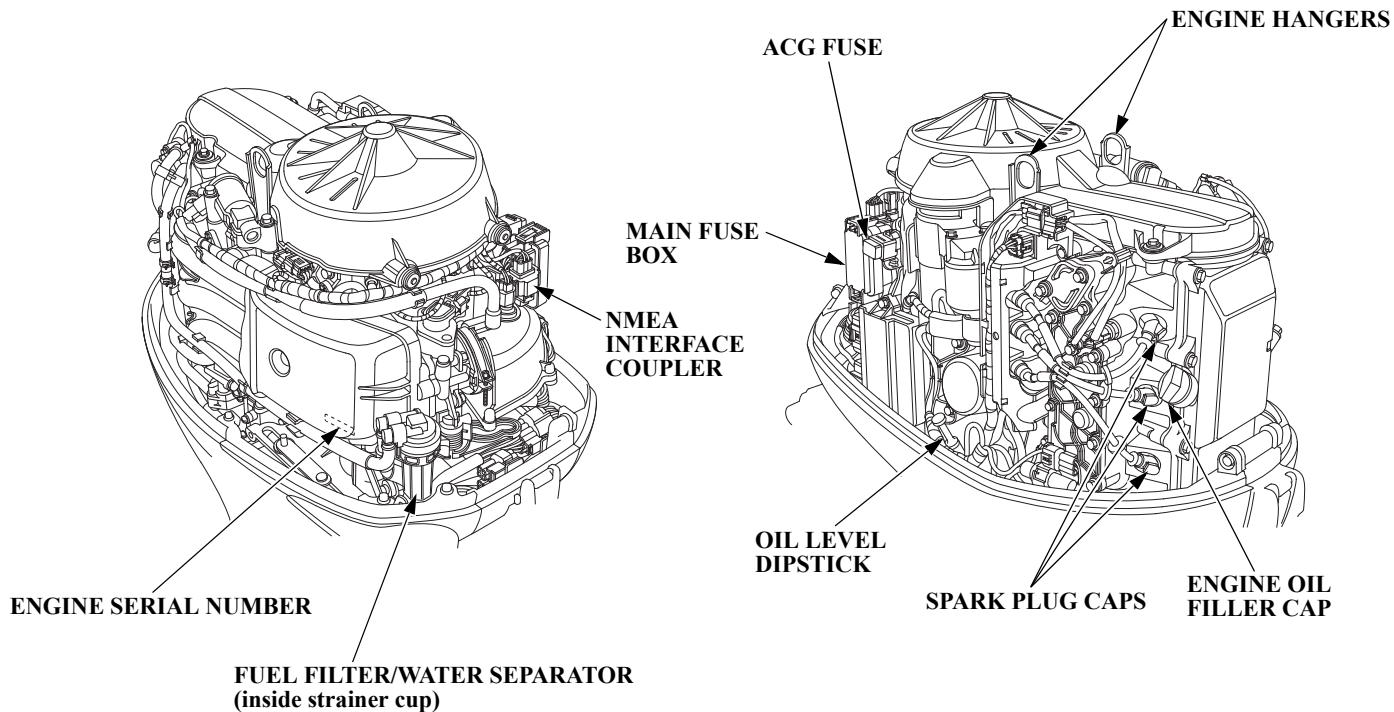
# CONTROLS AND FEATURES

## Tiller Handle Type (optional equipment)

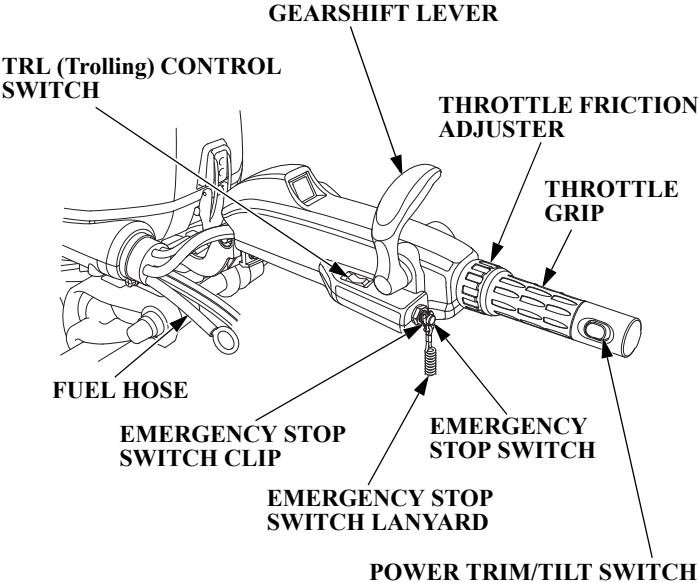
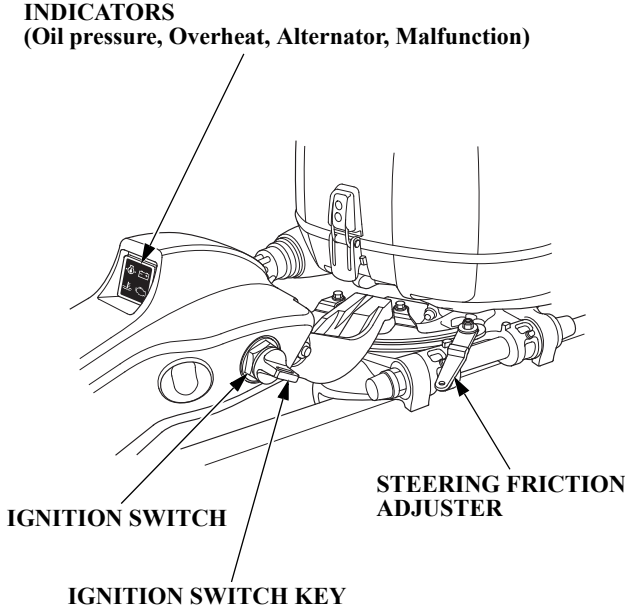


# CONTROLS AND FEATURES

---



# CONTROLS AND FEATURES



**SPARE EMERGENCY STOP SWITCH CLIP**

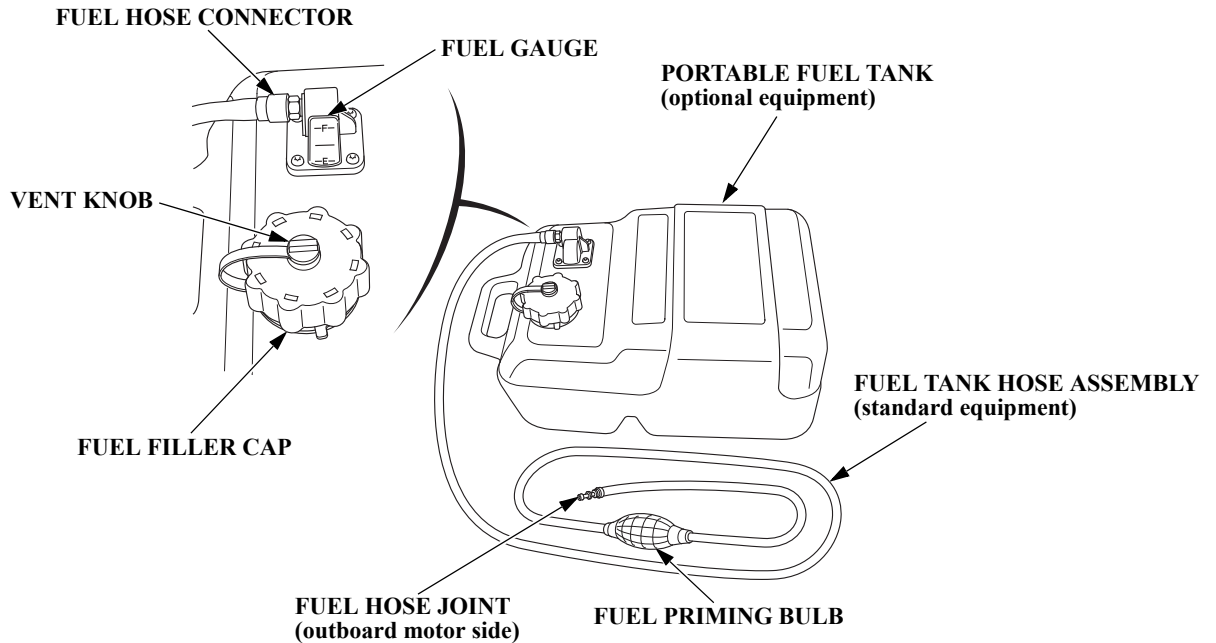
Store the spare emergency stop switch clip in the tool bag.

This block contains a diagram of a spare emergency stop switch clip, which is a small metal component with a hole. An arrow points to it from the text above. Below the diagram is the instruction to store it in the tool bag.

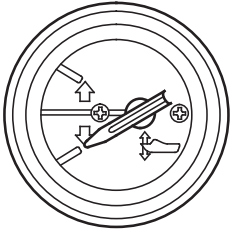
# CONTROLS AND FEATURES

---

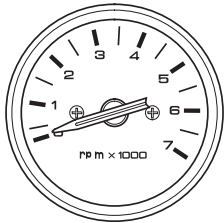
**Portable Fuel Tank  
(optional equipment)  
Fuel Tank Hose Assembly  
(standard equipment)**



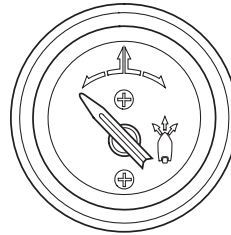
**Trim Meter  
(optional equipment)**



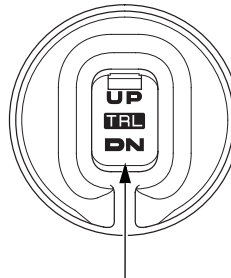
**Tachometer  
(optional equipment)**



**Rudder Meter  
(optional equipment)**



**Trolling Control Switch Panel  
(optional equipment)**



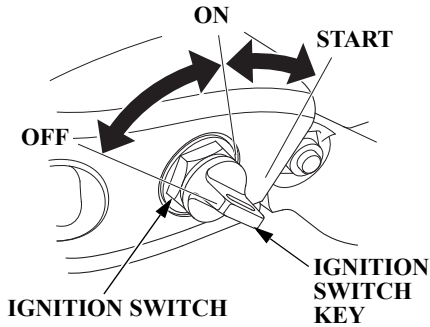
**TRL (Trolling) CONTROL SWITCH**

# CONTROLS AND FEATURES

## CONTROLS

### Tiller Handle Type (optional equipment)

#### *Ignition Switch*



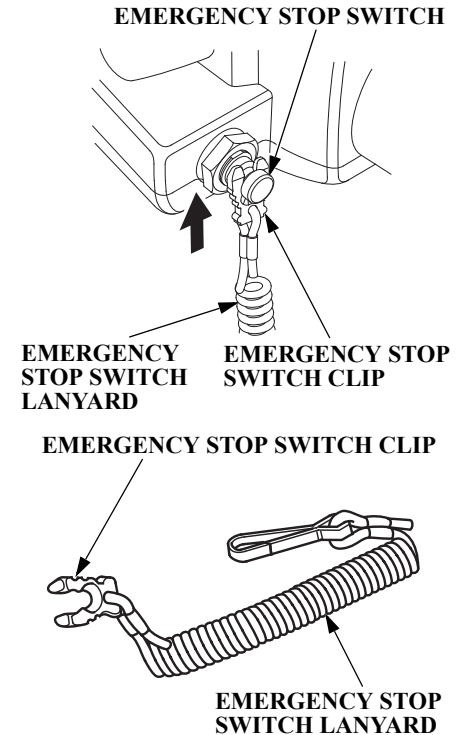
The ignition switch controls the ignition system and the starter motor.

Turning the ignition switch key to the START position operates the starter motor. The key automatically returns to the ON position when released from the START position.

The engine will not start unless the gearshift lever is in the N (neutral) position (p. 51) and the emergency stop switch clip is in the emergency stop switch.

Turning the ignition switch to the OFF position stops the engine.

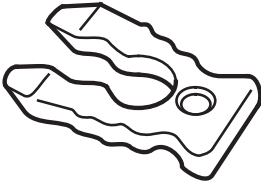
### *Emergency Stop Switch Clip and Emergency Stop Switch*



The emergency stop switch clip must be inserted in the emergency stop switch in order for the engine to start and run. The emergency stop switch lanyard must be attached securely to the operator or to the operator's PFD (Personal Flotation Device).

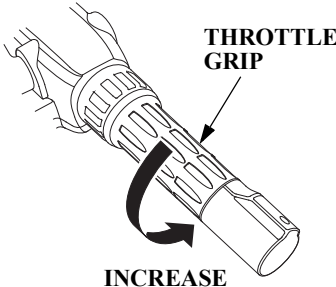
When used as described, the emergency stop switch and emergency stop switch lanyard system stops the engine if the operator falls away from the controls.

A spare switch clip is supplied with the outboard motor.

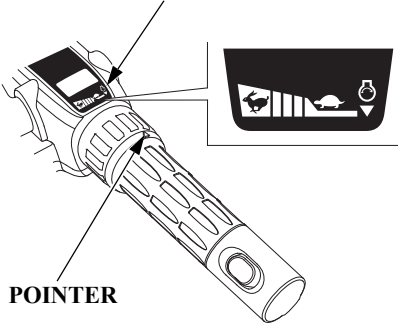


**SPARE SWITCH CLIP**

## *Throttle Grip*



## **THROTTLE INDEX MARK**

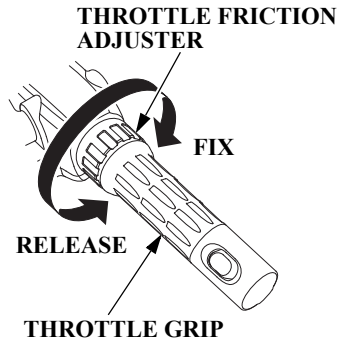


The throttle grip controls engine speed.

An index mark on the tiller arm shows throttle position and is helpful for setting the throttle correctly when starting (p. 63).

# CONTROLS AND FEATURES

## Throttle Friction Adjuster

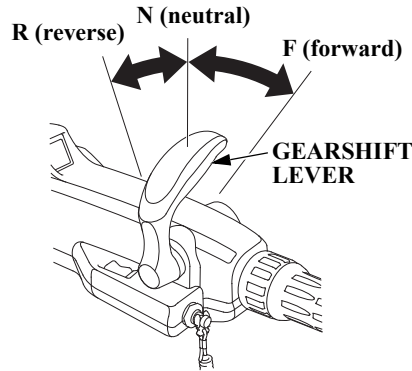


The throttle friction adjuster adjusts resistance to throttle grip rotation.

Turn the adjuster clockwise to increase friction for holding a throttle setting while cruising.

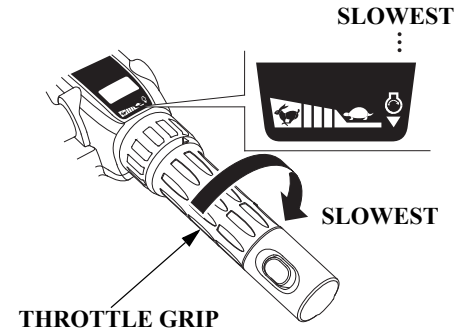
Turn the adjuster counterclockwise to decrease friction for easy throttle grip rotation.

## Gearshift Lever



The gearshift lever is used to select F (forward), N (neutral), or R (reverse) gears.

The engine can be started with the gearshift lever in the N (neutral) position only.

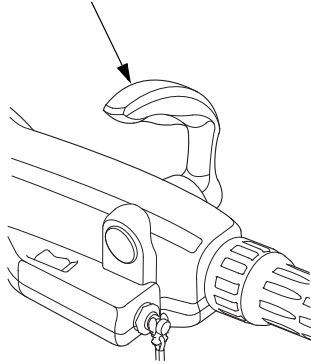


### NOTICE

*The shift lever will not move unless the throttle grip is in the fully closed position.*



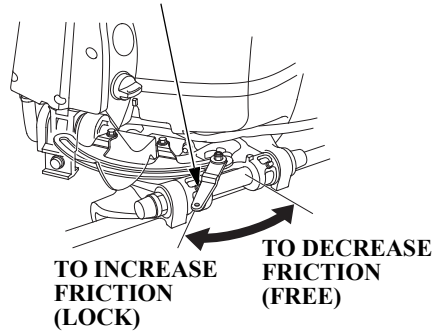
**GEARSHIFT LEVER**



You can choose which side of the tiller handle to have the gearshift lever installed. Consult your authorized TOHATSU outboard motor dealer.

### *Steering Friction Adjuster*

**STEERING FRICTION ADJUSTER**



The steering friction adjuster adjusts steering resistance.

Less friction allows the outboard motor to turn more easily. More friction helps to hold a steady course while cruising or to prevent the outboard motor from swinging while trailering the boat.

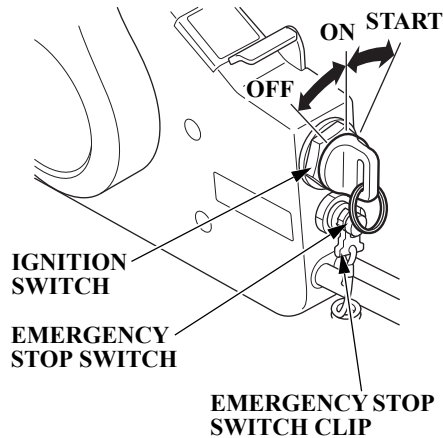
## CONTROLS AND FEATURES

### LRT Type (remote control)

For panel-mount or top-mount remote control information, refer to the instructions provided with the remote control equipment.

### Side-Mount Control Type (optional equipment)

#### *Ignition Switch*



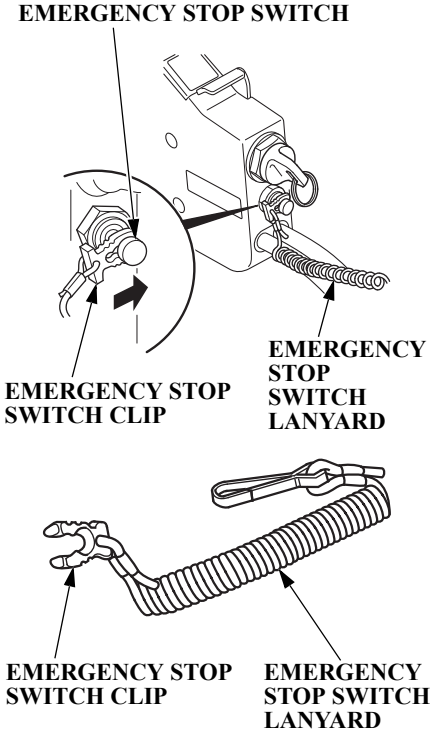
The ignition switch controls the ignition system and the starter motor.

Turning the ignition switch key to the START position operates the starter motor. The key automatically returns to the ON position when released from the START position.

The ignition switch can be used to start the engine only when the control lever is in the N (neutral) position (p. 54) and the emergency stop switch clip is in the emergency stop switch.

Turning the ignition switch to the OFF position stops the engine.

## *Emergency Stop Switch Clip and Emergency Stop Switch*



The emergency stop switch clip must be inserted in the emergency stop switch in order for the engine to start and run. The emergency stop switch lanyard must be attached to the operator's PFD (Personal Flotation Device) or to the operator securely.

When used as described, the emergency stop switch clip and emergency stop switch lanyard system stops the engine if the operator falls away from the controls.

A spare switch clip (optional equipment) can be stored in the tool bag.

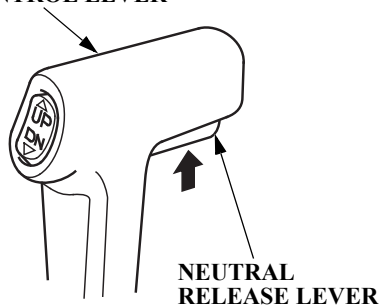


**SPARE SWITCH CLIP  
(optional equipment)**

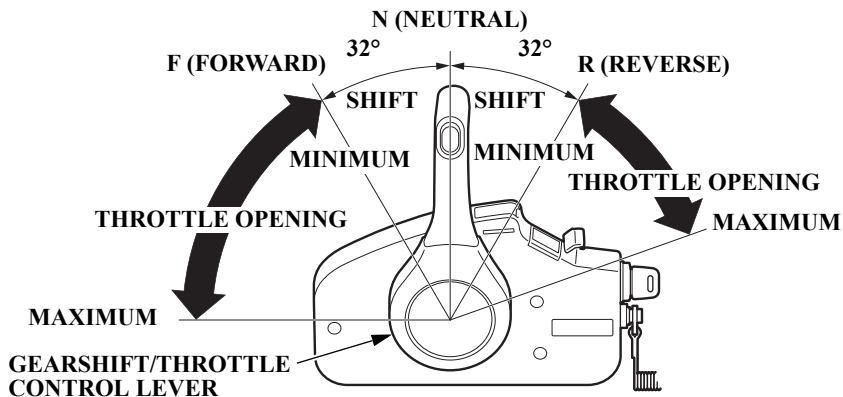
## CONTROLS AND FEATURES

### *Gearshift/Throttle Control Lever*

GEARSHIFT/THROTTLE CONTROL LEVER



The gearshift/throttle control lever controls engine speed and selects F (forward), N (neutral), or R (reverse) gears.



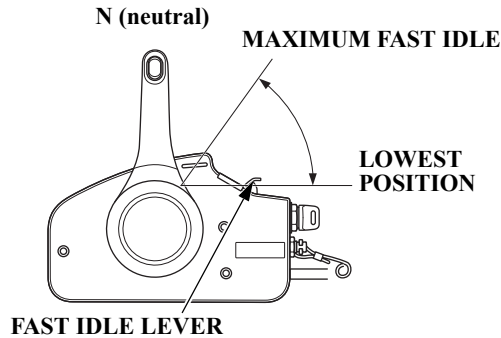
Moving the control lever 32° from N (neutral) selects the gear, and further movement increases engine speed.

The control lever automatically locks itself in the N (neutral) position. To move the lever out of the N (neutral) position, you must squeeze the neutral release lever on the underside of the lever handle.

A friction adjuster adjusts the operating resistance of the control lever(s). Refer to p. 64.

Less friction allows easier control lever movement. More friction helps to hold a steady throttle setting while cruising.

### *Fast Idle Lever*



Use the fast idle lever to accelerate engine warm-up after starting the engine. Do not use the fast idle lever when starting the engine.

See page 56 for engine warm-up instructions.

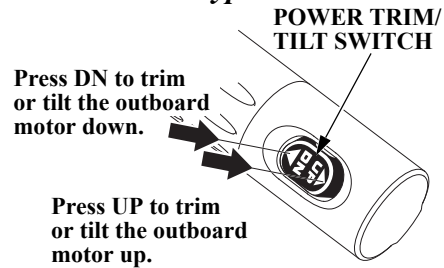
The fast idle lever allows you to increase the idle speed only when the control lever is in the N (neutral) position. Place the fast idle lever in its START (fully lowered) position to cancel the fast idle and return the control lever to normal operation.

# CONTROLS AND FEATURES

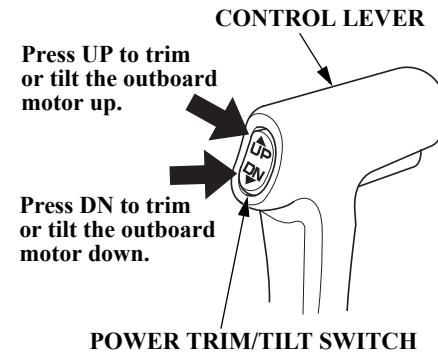
## Common Controls

### *Power Trim/Tilt Switch (tiller handle/control lever side)*

#### *Tiller Handle Type*



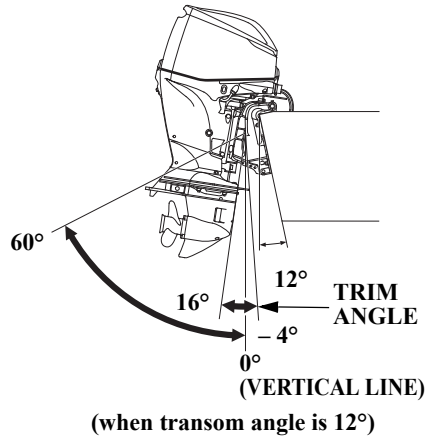
### *LRT Type (side-mount control)*



The power trim/tilt switch is located on the tiller handle or on the control lever. It is a rocker switch with UP and DN (down) positions for changing the angle of the outboard motor.

You can use the power trim/tilt switch anytime whether the boat is underway, stopped, or the ignition switch is in the OFF position. It is necessary for the ignition switch to be in the ON position for the trim meter to indicate the outboard motor angle. Trim the outboard motor to obtain the best performance and stability (p. 66).

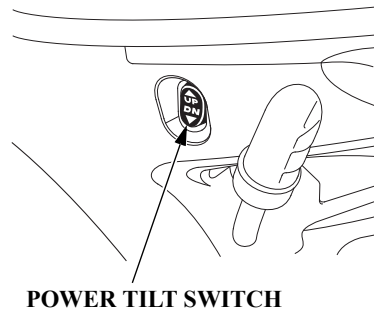
Tilt the outboard motor for shallow water operation, beaching, launching, or mooring.



### NOTICE

*If your outboard motor is equipped with the tilt limit mechanism (optional equipment for remote control type), you can set the tilt angle limit. Contact your dealer for more information.*

### *Power Tilt Switch (engine pan)*



The power tilt switch is located on the engine pan. It is a rocker switch with UP and DN (down) positions for changing the angle of the outboard motor.

The power tilt switch will operate without turning the ignition switch ON.

This switch is used with the engine stopped to raise the outboard motor for mooring, trailering, or maintenance.

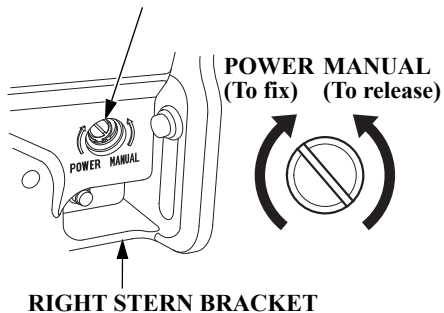
### NOTICE

*The power trim/tilt switch located on the outboard (engine pan) is not limited by the tilt limit mechanism (optional equipment for remote control types) and will provide full range of movement.*

# CONTROLS AND FEATURES

## Manual Relief Valve

### MANUAL RELIEF VALVE

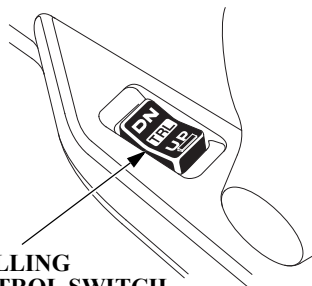


The outboard motor can be tilted manually after opening the manual relief valve. This allows the outboard motor to be tilted up or down when no battery is connected.

Check that nobody is under the outboard motor before opening the manual relief valve. If the manual relief valve is loosened (turned counterclockwise) when the outboard motor is tilted up, the outboard motor will suddenly tilt down.

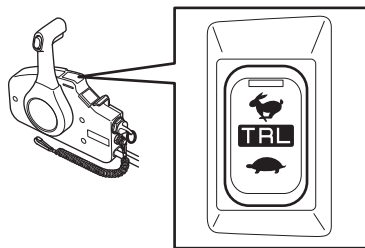
## TRL (Trolling) Control Switch (optional equipment)

Tiller handle type



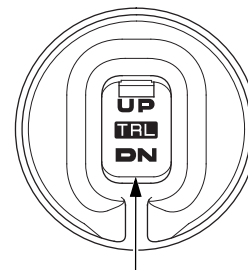
TROLLING CONTROL SWITCH

## Remote Control Box (Side-mount control type)



TROLLING CONTROL SWITCH

## Trolling Control Switch Panel



TROLLING CONTROL SWITCH

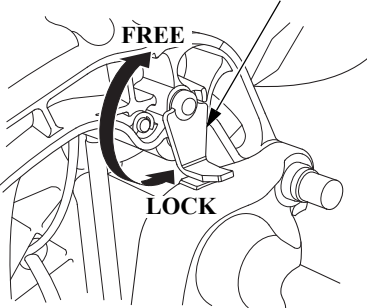
The Trolling Control Switch is a rocker switch with UP and DN (down) positions to adjust the trolling speed up or down in 50 RPM increments within the range of 750 to 1,000 RPM.

If you press and hold the TRL control switch while cruising with the throttle closed, the mode changes to trolling mode (p. 68).



***Tilt Lock Lever***

**TILT LOCK LEVER**

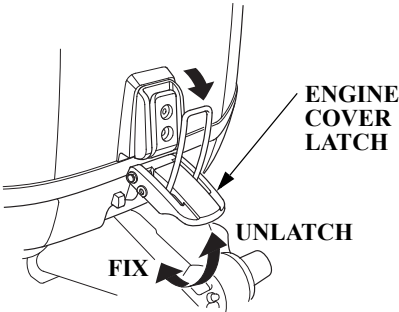


The tilt lock lever is used to support the outboard motor in the fully-raised position.

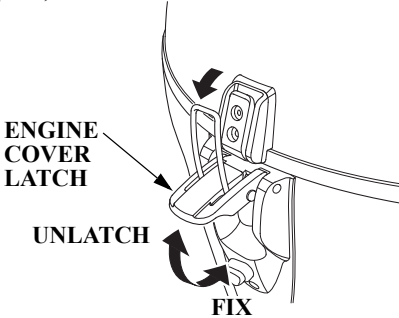
When the boat is to be moored for a long time, tilt the outboard motor up as far as it will go. Then move the tilt lock lever to the LOCK position, and gently lower the outboard motor until the lever contacts the stern bracket.

***Engine Cover Latches***

**(front)**



**(rear)**

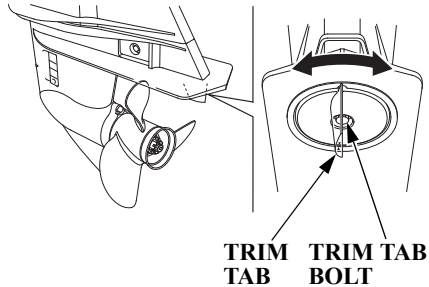


The engine cover latches fasten the engine cover to the outboard motor.

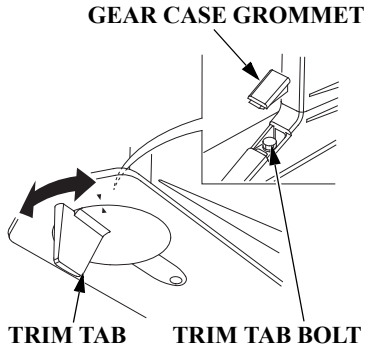
# CONTROLS AND FEATURES

## *Trim Tab*

### **BFT60A model:**



### **BFW60A model:**



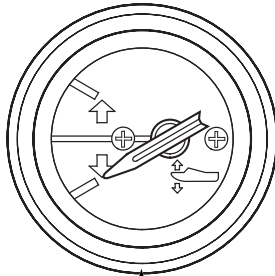
The trim tab compensates for “torque steer,” which is a reaction of the outboard motor to propeller rotation.

If uncompensated, torque steer would make the outboard motor tend to turn to one side.

When the trim tab is correctly adjusted (p. 78), steering effort is equal in either direction.

## INSTRUMENTS

### Trim Meter (optional equipment)

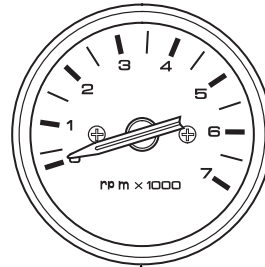


**TRIM METER**

The trim meter indicates the relative trim angle of the outboard motor.

Refer to the trim meter when using the power trim/tilt switch to achieve the best performance from the boat.

### Tachometer (optional equipment)



**TACHOMETER**

The tachometer shows engine speed in revolutions per minute.

Refer to the tachometer when using the throttle and power trim/tilt controls to achieve the best performance from the boat.

## CONTROLS AND FEATURES

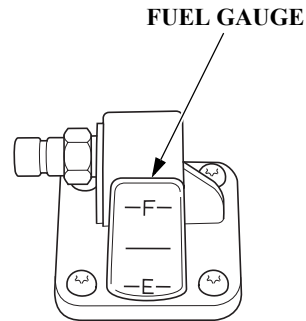
---

### Rudder Meter (optional equipment)



The rudder meter shows the boat's travelling direction in accordance with the rudder angle.

### Fuel Gauge (optional equipment)



A fuel gauge is built into the fuel tank connector of the portable fuel tank (optional equipment).

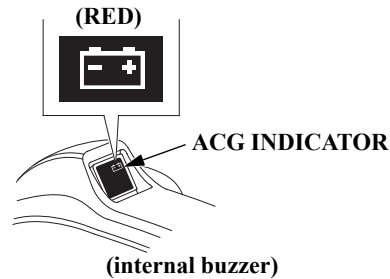
## INDICATORS

The indicator lights come on and the buzzer sounds when you turn the ignition switch ON, allowing you to see that they are working. If an indicator does not light during this test, it cannot alert you if that system develops a problem. Have your TOHATSU dealer check for burned-out bulbs or other problems. Under normal conditions, the following occur when the ignition switch is turned ON:

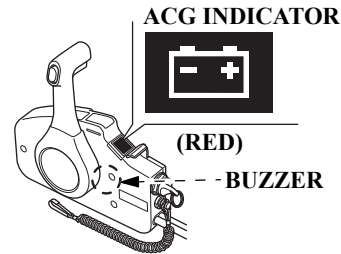
1. The ACG, Malfunction, Oil Pressure, and Overheat indicators light.
2. The buzzer will beep twice.
3. The Malfunction, Oil Pressure, and Overheat indicators will go out after the second beep.
4. The ACG indicator will go out after the engine starts.
5. The Oil Pressure indicator will light again after the engine starts and will stay lit to indicate the oil pressure is normal.

### Alternator (ACG) Indicator

#### *Tiller Handle Type*



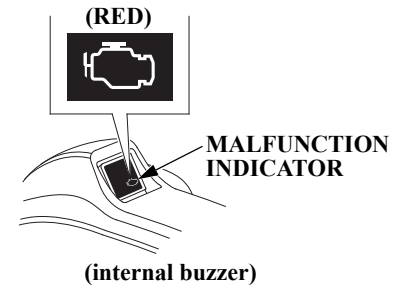
#### *LRT Type* (side-mount control)



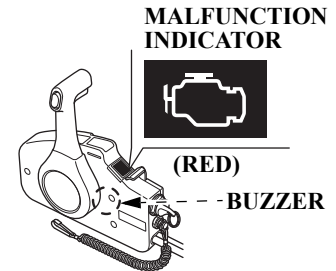
The ACG indicator turns on and the buzzer sounds in one-second intervals when the charging system is faulty.

### Malfunction Indicator

#### *Tiller Handle Type*



#### *LRT Type* (side-mount control)

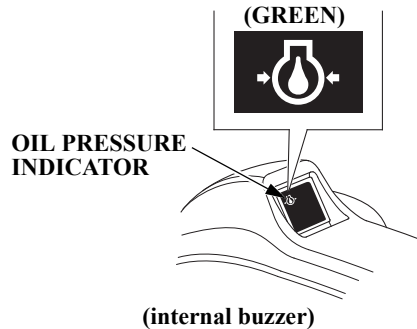


## CONTROLS AND FEATURES

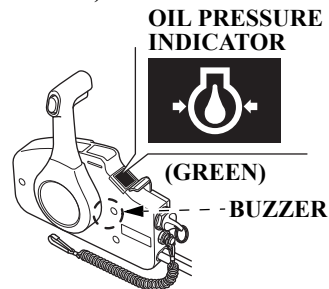
When the engine control system detects an engine control system malfunction, the malfunction indicator turns on and the buzzer sounds at one-second intervals.

### Oil Pressure Indicator

#### *Tiller Handle Type*



#### *LRT Type* (side-mount control)



When the oil pressure indicator is lit, oil pressure is OK.

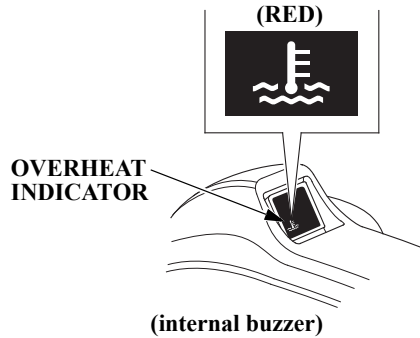
If oil pressure becomes low, the indicator will turn off, and the engine protection system will limit engine speed. Refer to *TAKING CARE OF UNEXPECTED PROBLEMS*, on p. 115.

All models are equipped with a buzzer that sounds continuously when the oil pressure indicator turns off.

Low oil pressure indicates that the engine oil level is low or that there is a problem with the engine lubrication system.

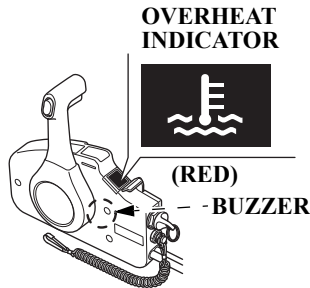
## Overheat Indicator

### Tiller Handle Type



### LRT Type

(side-mount control)



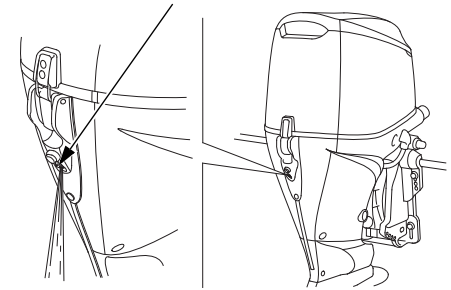
When the alert triggers, the overheat indicator comes on and the buzzer sounds a steady tone as the engine speed is reduced to 1,800 rpm. If the condition persists for another 20 seconds, the engine shuts off. Refer to *TAKING CARE OF UNEXPECTED PROBLEMS*, on p. 116.

All models are equipped with a buzzer that sounds continuously when the red overheat indicator light comes on.

Engine overheating may be the result of clogged water intakes.

## Cooling System Indicator

### COOLING SYSTEM INDICATOR



Water should flow from the cooling system indicator while the engine is running. This shows that water is circulating through the cooling system.

If water stops flowing while the engine is running, it indicates a cooling system problem, such as clogged water intakes, which will cause engine overheating. Refer to *TAKING CARE OF UNEXPECTED PROBLEMS*, on p. 117.

## CONTROLS AND FEATURES

---

The cooling system indicator discharge port can also become plugged.

### OTHER FEATURES

#### Overrev Limiter

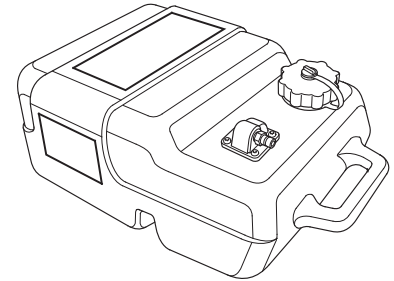
The engine is equipped with an overrev limiter to prevent the possibility of mechanical damage from excessive engine speed.

The overrev limiter may be activated during operation, limiting engine speed, if the outboard motor is trimmed or tilted up excessively, or when propeller ventilation occurs during a sharp turn.

If the overrev limiter is activated, check the trim angle of the outboard motor.

Check to see if the correct propeller is installed.

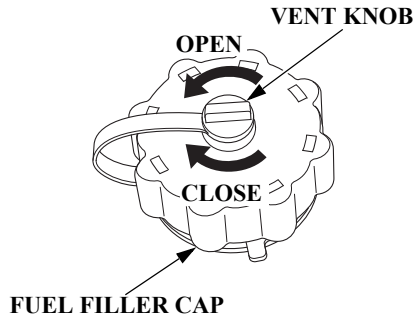
#### Portable Fuel Tank (optional equipment)



The portable fuel tank has a capacity of 6.6 US gal (25 L) and has a fuel gauge built into the fuel tank connector.

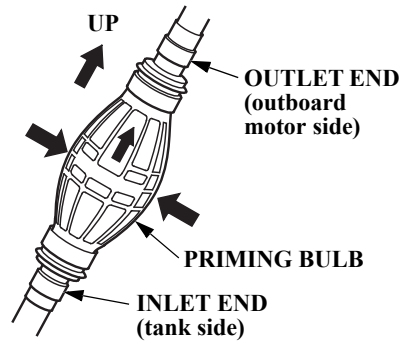


## Fuel Filler Cap Vent Knob (optional equipment)



The fuel filler cap is provided with a vent knob to seal the portable fuel tank for carrying it to and from the boat. Open the vent by turning the vent knob counterclockwise all the way before starting the engine.

## Fuel Priming Bulb

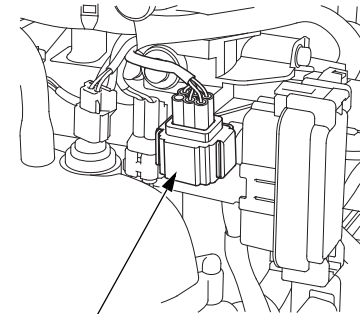


A priming bulb is built into the fuel hose that connects the fuel tank to the outboard motor.

Before starting the engine, hold the priming bulb up in the direction of the arrow; then squeeze the priming bulb until it feels firm. This will ensure that fuel is supplied to the engine (p. 50).

## NMEA Interface Coupler

The NMEA2000<sup>®</sup> interface coupler can provide information regarding engine speed, fuel consumption, and various warnings to an existing NMEA2000 network via an optional interface cable. Contact your dealer for more information.



**NMEA INTERFACE COUPLER**

# CONTROLS AND FEATURES

---

## Operating Hour Notification System

This outboard motor engine counts the number of operating hours since the last periodic maintenance. When the next periodic maintenance is due, the engine notifies the NMEA2000 network, and a maintenance indication is displayed on an NMEA2000-compatible device.

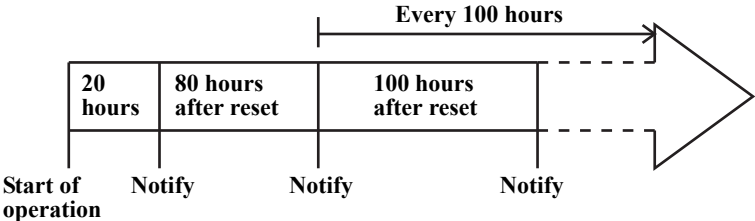
After periodic maintenance is performed, reset the hour counter by:

1. Stopping the engine.
2. Setting the gearshift at F or R.
3. Turning the ignition switch ON.  
The buzzer will sound once.
4. Pressing the emergency stop switch 5 times within 20 seconds.  
The buzzer will sound once when the hour counter is reset.

Periodic maintenance is required when either the operating hours or the time since last maintenance reaches the prescribed limit. Therefore, periodic maintenance may be required based on the number of months since the last maintenance before the alert based on engine operating hours displays (see *MAINTENANCE SCHEDULE* on page 76).

Reset the hour counter whenever maintenance is performed, whether based on the time interval or the number of operating hours.

## <Operating hour notification timing>



- NMEA2000-compatible display:
- Follow instructions for the display.
  - If the display allows selection of notification to be preset, select “Notify” (or equivalent).
  - Turn on the power supply to the display before turning on the ignition switch of the outboard motor.
  - The indication may differ, depending on the type of display.

## <Display>

Steps	1	2	3	4
Outboard motor	—	Ignition switch ON	Start engine	Gear at F or R
Display	Switch ON	—	—	—
Maintenance indication on display	Not shown Maintenance indication	Shown Maintenance indication	Shown Maintenance indication	Not shown Maintenance indication

## CONTROLS AND FEATURES

---

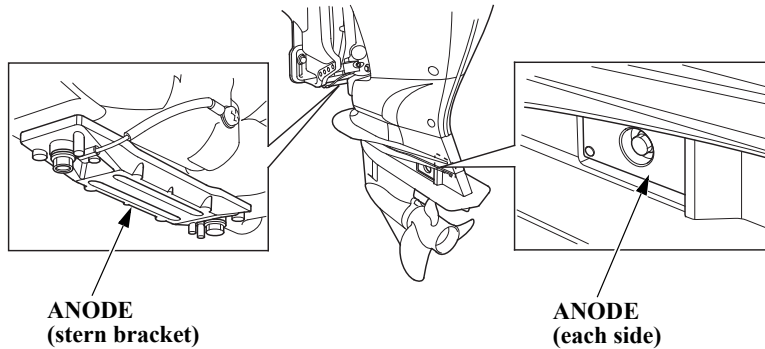
When “Periodic Maintenance” is indicated:

1. Have the periodic maintenance performed without delay after returning to port.
2. Reset the hour counter.  
If not reset, the maintenance indication will remain in the display, and the hour count until the next maintenance will be in error.

When the periodic maintenance is conducted before “Periodic Maintenance” is indicated, reset the hour counter.

If not reset, the hour count until the next maintenance will be in error.

### Anodes



The anodes are made of a sacrificial material that helps to protect the outboard motor from corrosion.

There are two anodes on the gear case, one on the stern bracket and four small anodes in the water passages of the engine block.

# BEFORE OPERATION

## ARE YOU READY TO GET UNDERWAY?

Your safety is your responsibility. A little time spent in preparation will significantly reduce your risk of injury.

### Knowledge

Read and understand this manual. Know what the controls do and how to operate them.

Familiarize yourself with the outboard motor and its operation before you get underway. Know what to do in case of an emergency.

Familiarize yourself with all laws and regulations relating to boating and the use of outboard motors.

### Safety

Always wear a PFD (Personal Flotation Device) while on the boat.

Attach the emergency stop switch clip securely to the operator or to the operator's PFD (Personal Flotation Device).

## IS YOUR OUTBOARD MOTOR READY TO GO?

For your safety, and to maximize the service life of your equipment, it is very important to take a few moments before you operate the outboard motor to check its condition.

Be sure to take care of any problem you find, or have your authorized TOHATSU dealer correct it, before you operate the outboard motor.

## WARNING

Improperly maintaining this outboard motor or failing to correct a problem before operation can cause a malfunction in which you could be seriously hurt or killed.

Always perform a pre-operation inspection before each operation, and correct any problem.

Before beginning your pre-operation checks, be sure the ignition switch is in the OFF position.

### Safety Inspection

- Before each use, look around and underneath the engine for signs of oil or gasoline leaks.
- If you are using the portable fuel tank (optional equipment), make sure it is in good condition and properly secured in the boat (p. 48).
- Check that the fuel hose is undamaged and properly connected.
- Wipe up any spills before starting the engine.
- Check the stern bracket to be sure the outboard motor is securely installed.
- Check that all controls are operating properly.
- Replace any damaged parts.

- Check that all fasteners are in place and securely tightened.
- Check the emergency stop switch for proper operation (p. 20, 25). Start the engine. Make sure the engine stops by pulling the emergency stop switch clip from the emergency stop switch (p. 60).

### Maintenance Inspection

- Check the engine oil level (p. 81). Running the engine with a low oil level can cause engine damage. Overfilling the engine can cause the engine to smoke or have oil leaks which can cause engine damage.
- Check to be sure the propeller is undamaged and the castle nut is secured with the cotter pin (p. 97).

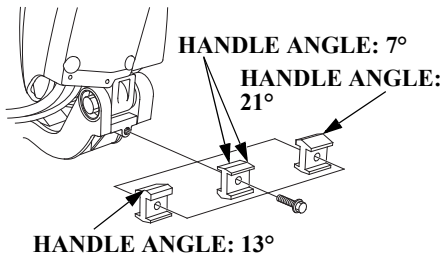
- Check that the anodes are securely attached to the stern bracket and the gear case (p. 96) and are not excessively worn. The anodes help protect the outboard motor from corrosion.
- Make sure a tool kit and the emergency starter rope are onboard (p. 75). Replace any missing items.
- Check the fuel level in the fuel tank (p. 89).
- Check that the battery fluid is between the upper and lower levels, and the battery leads are connected securely.
- Check the fuel filter for water contamination (p. 92).

# BEFORE OPERATION

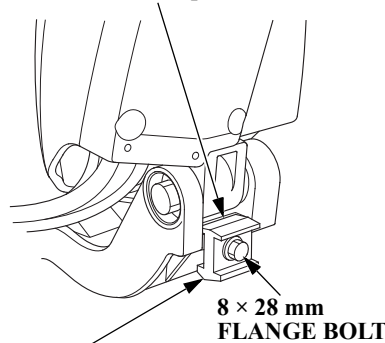
## Tiller Handle Height/Angle Adjustment (Tiller Handle Type)

The tiller handle height and angle can be adjusted to three positions by changing the installation direction of the height adjustment block. Select a suitable height and angle for the operator and secure the block.

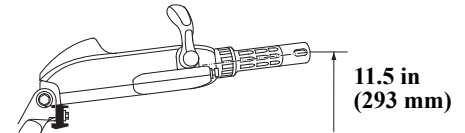
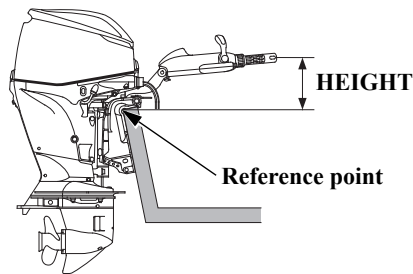
1. Raise the tiller handle and remove the 8 × 28 mm flange bolt and the height adjustment block.
2. Pull down the tiller handle. Determine the height adjustment block installation direction and secure the block with the 8 × 28 mm flange bolt.



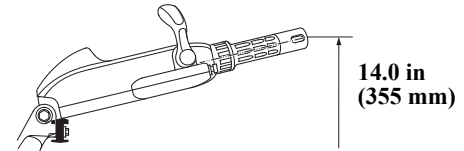
Install the height adjustment block so that the selected angle of the tiller handle is in this position.



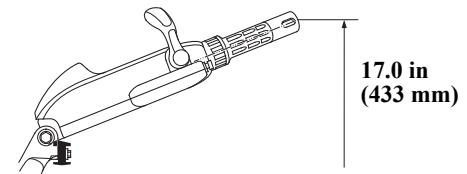
HEIGHT ADJUSTMENT BLOCK



HANDLE ANGLE: 7°



HANDLE ANGLE: 13°



HANDLE ANGLE: 21°



## SAFE OPERATING PRECAUTIONS

To safely realize the full potential of this outboard motor, you need a complete understanding of its operation and a certain amount of practice with its controls.

Before operating the outboard motor for the first time, please review the *IMPORTANT SAFETY INFORMATION* on page 7 and the chapter titled *BEFORE OPERATION*.

For your safety, do not start or run the engine in a confined or partly enclosed area. Your engine's exhaust contains poisonous carbon monoxide, a colorless, odorless gas that can collect rapidly. Breathing carbon monoxide can cause loss of consciousness and may lead to death.

## BREAK-IN PROCEDURE

### Break-in period: 10 hours

Proper break-in operation allows the moving parts to wear in smoothly for best performance and long service life. Avoid continuous operation at a steady speed.

### First 15 minutes:

Run the engine at trolling speed. Use the minimum throttle opening necessary to operate the boat at a safe trolling speed.

### Next 45 minutes:

Run the engine up to a maximum of 2,000 to 3,000 rpm, which is about 10% to 30% of maximum throttle opening. Operating at maximum 2,000 ~ 3,000 rpm should be limited to 50% of the 45 minutes.

### Next 60 minutes:

Run the engine up to a maximum of 4,000 to 5,000 rpm, which is about 50% to 80% of maximum throttle opening. Operating at maximum 4,000 ~ 5,000 rpm should be limited to 50% of the 60 minutes. 30-second full-throttle bursts are OK, but do not operate the engine continuously at full throttle.

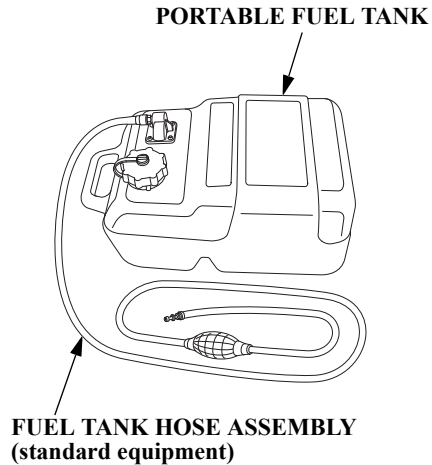
For boats that plane easily, bring the boat up on plane, and then reduce the throttle opening to the recommended rpm range.

### Next 8 hours:

Do not run the engine at full throttle for more than 5 minutes at a time.

## OPERATION

### PORTABLE FUEL TANK (optional equipment)



Place the portable fuel tank in a well-ventilated location, away from direct sunlight, to reduce the possibility of a gasoline vapor explosion.

To ensure that the outboard motor will be able to draw fuel from the tank, place the tank within 6 feet (2 m) of the outboard motor and not more than 3 feet (1 m) below the fuel connector on the outboard motor.

Secure the portable fuel tank in the boat so that it won't move around and become damaged.

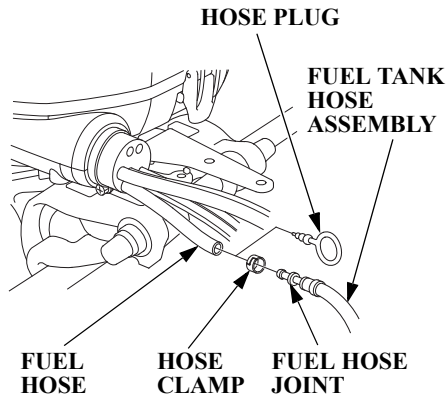
### **⚠ WARNING**

Gasoline is highly flammable and explosive, and you can be burned or seriously injured when handling fuel.

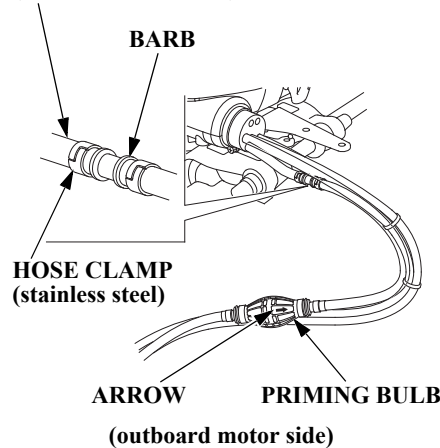
- Stop the engine and let it cool before handling fuel.
- Keep heat, sparks, and flame away.
- Handle fuel only outdoors.
- Wipe up spills immediately.

## FUEL HOSE CONNECTIONS

Turn the portable fuel tank vent knob counterclockwise to the open position.

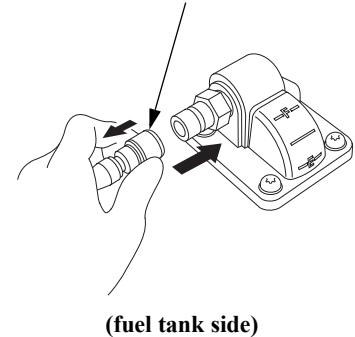


### FUEL HOSE (outboard motor side)



1. Remove the hose plug from the outboard motor side fuel hose. Insert the fuel hose joint into the outboard motor side fuel hose and secure it with the hose clamp. Make sure the arrow mark on the priming bulb points toward the outboard motor side.
  - Store the hose plug in a secure place.

### FUEL TANK HOSE ASSEMBLY CONNECTOR

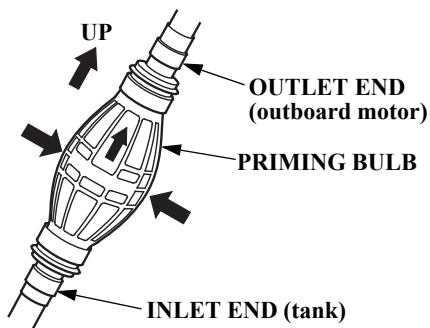


2. Connect the fuel tank hose assembly connector to the tank, as shown. Be sure the connector snaps securely into place. Always disconnect the fuel hose when storing or transporting the outboard motor.

## OPERATION

### FUEL PRIMING

If you are using a portable fuel tank, turn the portable fuel tank vent knob counterclockwise to the open position.



Hold the priming bulb up in the direction of the arrow; then squeeze the priming bulb several times until it feels firm, indicating that fuel has reached the engine.

Check to be sure there are no fuel leaks before starting the engine.

Do not touch the priming bulb with the engine running or when tilting up the outboard motor. The vapor separator could overflow.

### **⚠ WARNING**

Gasoline is highly flammable and explosive, and you can be burned or seriously injured when handling fuel.

- Stop the engine and let it cool before handling fuel.
- Keep heat, sparks, and flame away.
- Handle fuel only outdoors.
- Wipe up spills immediately.

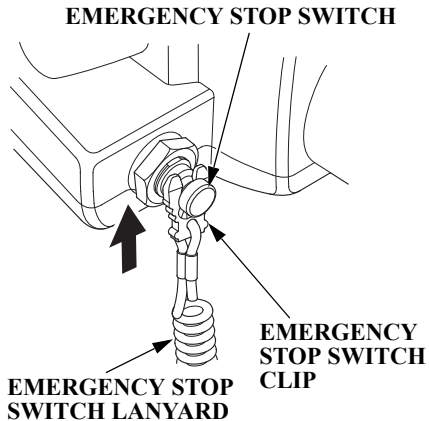
### INFREQUENT OR OCCASIONAL USE

If your outboard motor will be used on an infrequent or intermittent basis, please refer to the fuel section of the *STORAGE* chapter (p. 101) for additional information regarding fuel deterioration.

## STARTING THE ENGINE

Control	Page
Tiller Handle Type .....	51
Side-Mount Control Type .....	54

### *Tiller Handle Type (optional equipment)*



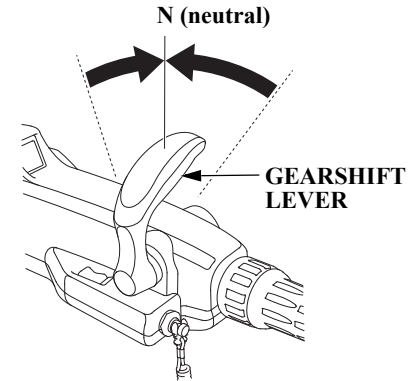
1. Put the emergency stop switch clip in the emergency stop switch, and attach the emergency stop switch lanyard securely to the operator or

to the operator's PFD (Personal Flotation Device).

The engine will not start or run unless the emergency stop switch clip is in the emergency stop switch.

The emergency stop switch clip and emergency stop switch lanyard system is a safety device that will stop the engine if you fall away from the controls while operating the boat.

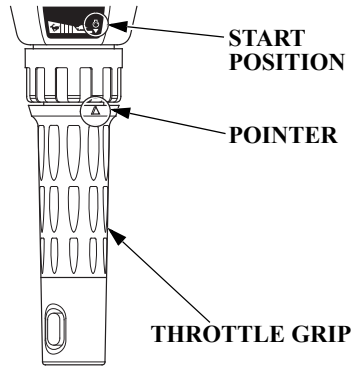
Always attach the emergency stop switch lanyard securely to the operator or to the operator's PFD before starting the engine.


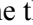


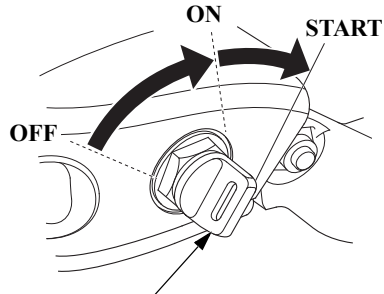
2. Check the position of the gearshift lever. It must be in the N (neutral) position for starting.

The engine will not start if the gearshift lever is in the F (forward) or R (reverse) position.

## OPERATION



3. Align the engine start symbol “” on the tiller handle with the pointer “” on the throttle grip.
4. Turn the ignition switch key to the ON position; the buzzer will sound twice.



IGNITION SWITCH KEY

5. Turn the ignition switch key to the START position and hold it there until the engine starts. When the engine starts, release the key, allowing it to return to the ON position.

If the engine fails to start within 5 seconds, release the key and wait at least 10 seconds before operating the starter again.

### NOTICE

- Using the electric starter for more than 5 seconds at a time will overheat the starter motor and can damage it.
- Turning the ignition switch key to the START position while the engine is running can damage the starter motor and flywheel.

Also, as the engine warms up, the throttle grip can be turned to the SLOW position without stalling.

6. Before getting underway, allow the engine to warm-up sufficiently to ensure good performance.

Above 41°F (5°C), warm-up the engine for at least 3 minutes.

Below 41°F (5°C), warm-up the engine for at least 5 minutes at 2,000 rpm.

### NOTICE

- *If the engine is not properly warmed up before raising the engine speed, the buzzer and overheat indicator may activate and the engine speed will be automatically reduced.*
- *The cooling system may freeze in areas where the temperature reaches 32°F (0°C) or below. Cruising at high speed without warming the engine up may cause engine damage.*

During the warm-up period, check the oil pressure indicator (p. 36), overheat indicator (p. 37), and cooling system indicator (p. 37).

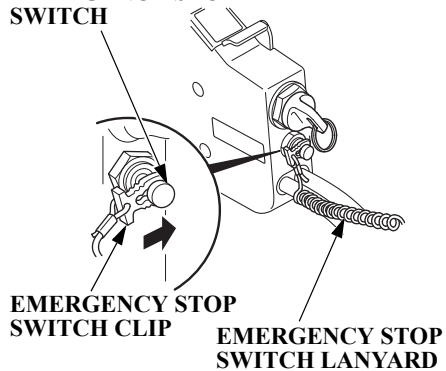
If the indicators show any abnormal condition, immediately stop the engine and determine the cause of the problem. Refer to *TAKING CARE OF UNEXPECTED PROBLEMS* on p. 107 – 111.

# OPERATION

## *LRT Type* (remote control)

### Side-Mount Control Type (optional equipment)

#### EMERGENCY STOP SWITCH

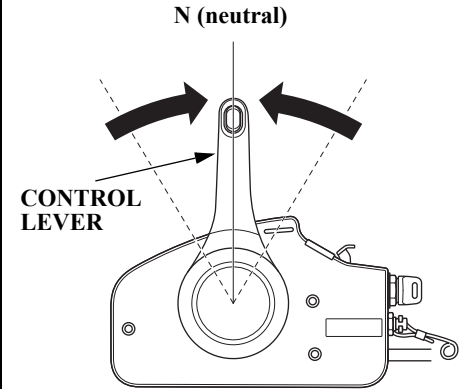


1. Put the emergency stop switch clip in the emergency stop switch, and securely to the operator or to the operator's PFD (Personal Flotation Device).

The engine will not start or run unless the emergency stop switch clip is in the emergency stop switch.

The emergency stop switch clip and emergency stop switch lanyard system is a safety device that will stop the engine if you fall away from the controls while operating the boat.

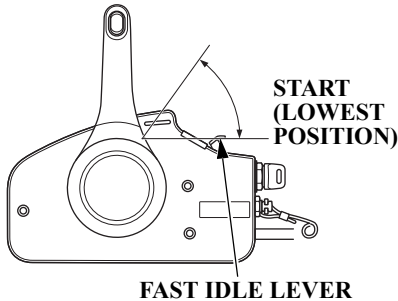
Always attach the emergency stop switch lanyard securely to the operator or to the operator's PFD before starting the engine.



2. Set the control lever in the N (neutral) position.

The engine will not start if the F (forward) or R (reverse) gears are engaged.



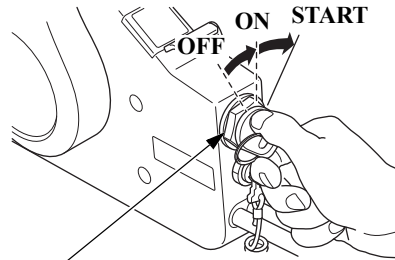


3. Leave the fast idle lever in the START (fully lowered) position.

The fast idle lever cannot be raised unless the control lever is in the N (neutral) position.

The control lever cannot be moved away from the N (neutral) position unless the fast idle lever is lowered.

4. Turn the ignition switch key to the ON position; the buzzer will sound twice.



IGNITION SWITCH KEY

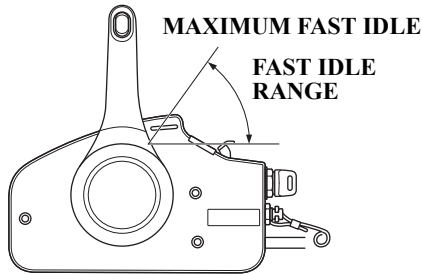
5. Turn the ignition switch key to the START position and hold it there until the engine starts. When the engine starts, release the key, allowing it to return to the ON position.

If the engine fails to start within 5 seconds, release the key and wait at least 10 seconds before operating the starter again.

## NOTICE

- Using the electric starter for more than 5 seconds at a time will overheat the starter motor and can damage it.
- Turning the ignition switch key to the START position while the engine is running can damage the starter motor and flywheel.

## OPERATION



6. Before getting underway, allow the engine to warm-up sufficiently to ensure good performance.

Above 41°F (5°C), warm-up the engine for at least 3 minutes.

Below 41°F (5°C), warm-up the engine for at least 5 minutes at 2,000 rpm. Raise the fast idle lever to achieve approximately 2,000 rpm.

### NOTICE

- *If the engine is not properly warmed up before raising the engine speed, the buzzer and overheat indicator may activate and the engine speed will be automatically reduced.*
- *The cooling system may freeze in areas where the temperature reaches 32°F (0°C) or below. Cruising at high speed without warming the engine up may cause engine damage.*

During the warm-up period, check the oil pressure indicator (p. 36), overheat indicator (p. 37), and cooling system indicator (p. 37).

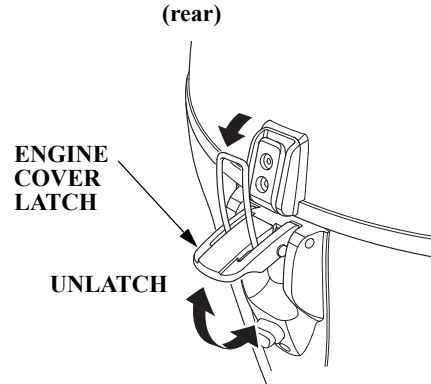
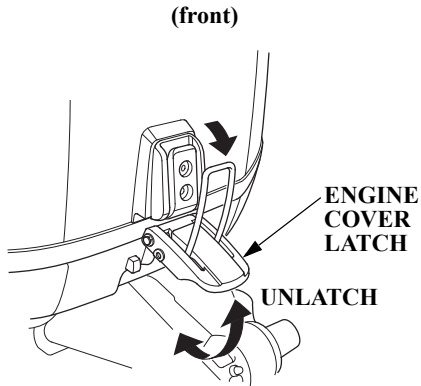
If the indicators show any abnormal condition, immediately stop the engine and determine the cause of the problem. Refer to *TAKING CARE OF UNEXPECTED PROBLEMS* on p. 107 – 111.

7. If the fast idle lever was used to warm-up the engine, gradually lower the lever as the engine warms up.

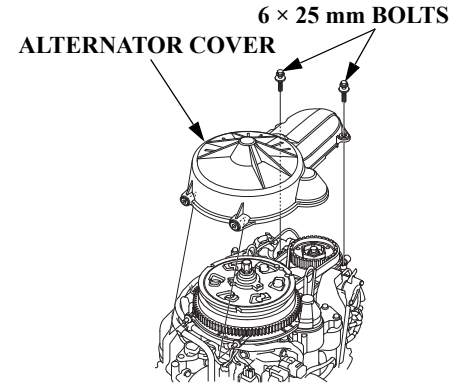
When the fast idle lever is fully lowered, the control lever can be moved away from the N (neutral) position.

## EMERGENCY STARTING

If the battery is discharged or the starter motor is inoperative, you can start the engine manually using the emergency starter rope supplied with the outboard motor.



1. Turn the engine switch key to the OFF position.
2. Unlatch the engine cover latch and remove the engine cover.



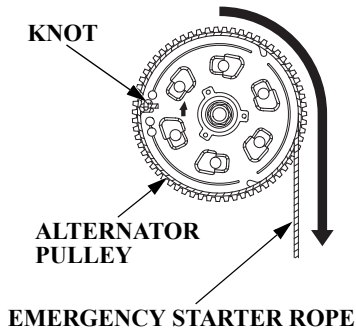
3. Remove the two 6 × 25 mm bolts, and then remove the alternator cover.

**NOTE:**  
Take care not to lose the bolts.

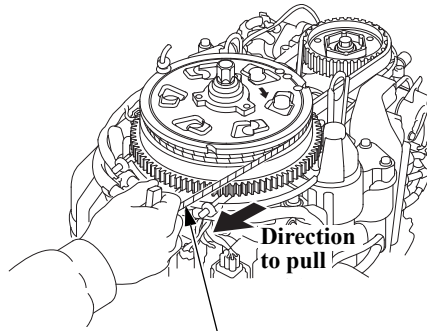
## OPERATION

- Set the controls the same as for normal starting (p. 51 – 53, 54 – 56).

Turn the ignition switch key to the ON position.



- Set the alternator pulley so the cutouts are on the right and left sides of the alternator pulley as shown. Hook the knot at the end of the starter rope (accessory) against a cutout in the alternator pulley, and wind the starter rope one and a half turns clockwise along the groove in the alternator pulley.



### EMERGENCY STARTER ROPE

- Pull the emergency starter rope slowly until resistance is felt, then pull briskly.

Keep away from moving parts while pulling the rope.

If necessary, rewind the rope and pull again. If the engine does not start after several attempts, refer to *TAKING CARE OF UNEXPECTED PROBLEMS* from p. 107.

### **⚠ WARNING**

Exposed moving parts can cause injury.

- Do not operate the outboard motor without the engine cover.
- Use extreme care when installing the engine cover.

7. If the fast idle control(s) was used to start the engine, return the control(s) to the normal operating position as the engine warms up.

During the warm-up period, check the oil pressure indicator (p. 36), overheat indicator (p. 37), and cooling system indicator (p. 37).

8. Leave the alternator cover off, but install the engine cover (p. 80) and lock it in place by latching the engine cover latch.

9. If it was necessary to remove the emergency stop switch lanyard from you to perform the emergency starting procedure, be sure the lanyard is attached securely to operator before operating the outboard motor.

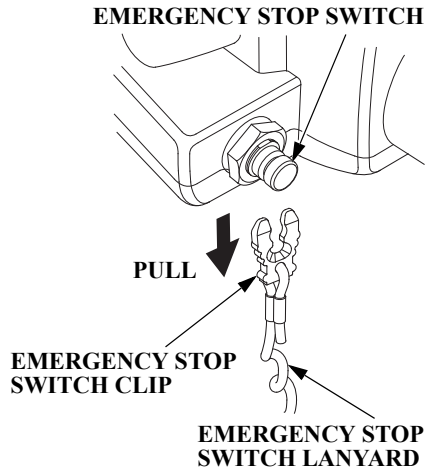
10. Have your closest authorized TOHATSU dealer check your electrical system and correct the problem so that you can use the electric starter.

# OPERATION

## STOPPING THE ENGINE

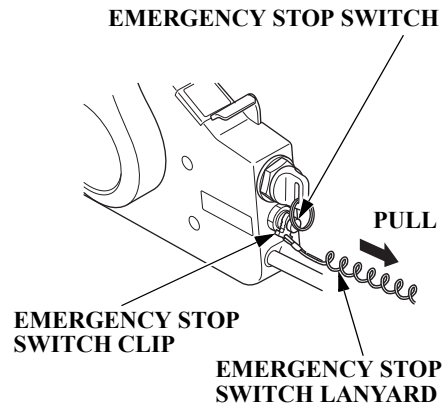
### Emergency Engine Stopping

#### *Tiller Handle Type* (optional equipment)



#### *LRT Type* (remote control)

#### Side-Mount Control Type (optional equipment)



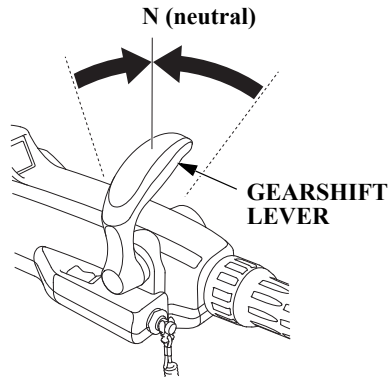
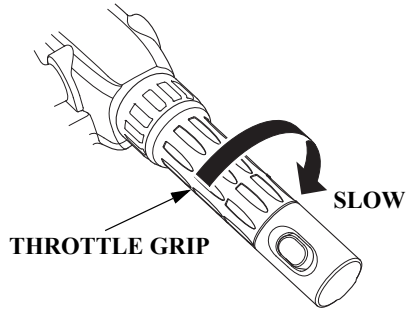
To stop the engine in an emergency, pull the emergency stop switch clip out of the emergency stop switch by pulling the emergency stop switch lanyard.

We suggest that you stop the engine this way occasionally to verify that the emergency stop switch is operating properly.

Turn the ignition switch key to the OFF position after verifying the emergency stop switch operation.

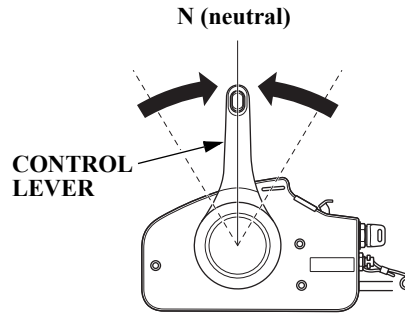
## Normal Engine Stopping

### *Tiller Handle Type* *(optional equipment)*



### *LRT Type* *(remote control)*

### *Side-Mount Control Type* *(optional equipment)*



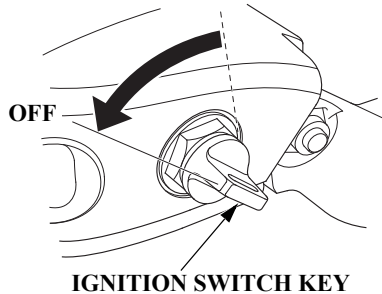
1. Move the throttle grip to the slowest speed and the gearshift lever or control lever to the N (neutral) position.

After cruising at full throttle, cool down the engine by idling for a few minutes before stopping the engine.

## OPERATION

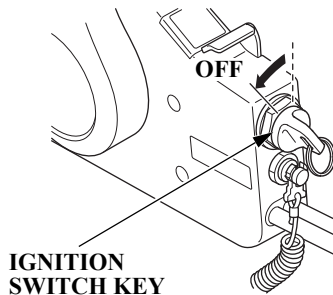
---

### *Tiller Handle Type*



### *LRT Type (remote control)*

### *Side-Mount Control Type*

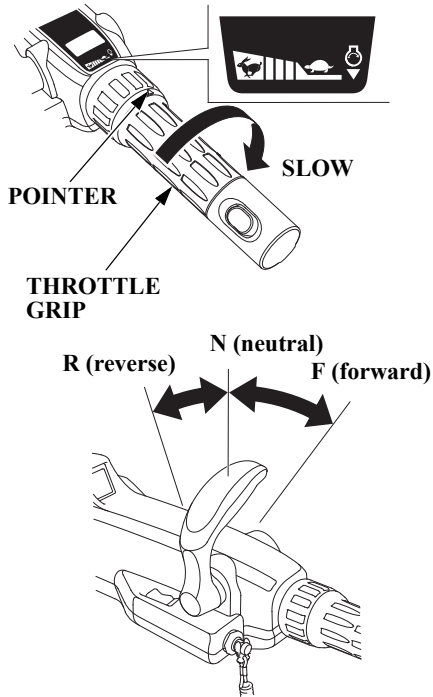


2. Turn the ignition switch key to the OFF position to stop the engine. In the event that the engine does not stop when the ignition switch key is turned to the OFF position, pull the emergency stop switch clip out of the emergency stop switch by pulling the emergency stop switch lanyard (p. 60).
3. When the boat is not in use, remove and store the ignition switch key and the emergency stop switch clip and lanyard. If you are using a portable fuel tank, disconnect the fuel hose if you will be storing or transporting the outboard motor.



## GEARSHIFT AND THROTTLE OPERATION

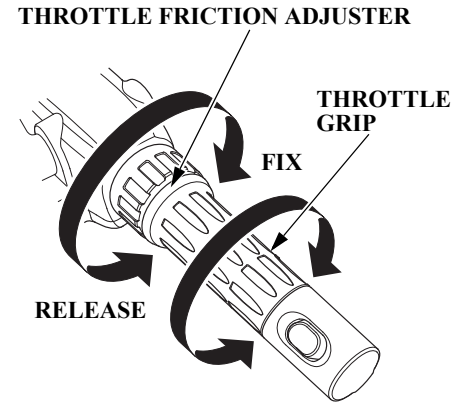
### *Tiller Handle Type*



To shift gears, turn the throttle grip to the SLOW position; then move the gearshift lever to select the F (forward), N (neutral), or R (reverse) gears.

The engine can be started with the gearshift lever in the N (neutral) position only.

The throttle grip can be turned to the FAST position only when the gearshift lever is in the F (forward) position.



Use the throttle friction adjuster to help hold a constant throttle setting while cruising.

Turn the adjuster clockwise to increase throttle grip friction for holding a constant speed.

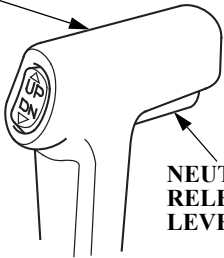
Turn the adjuster counterclockwise to decrease friction for easy grip rotation.

# OPERATION

## *LRT Type (remote control)*

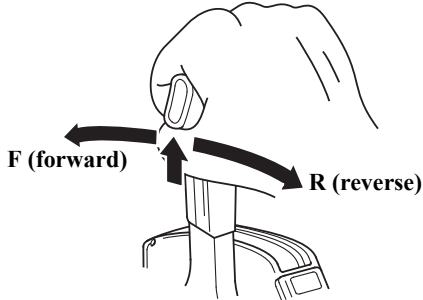
### Side-Mount Control Type

CONTROL LEVER



NEUTRAL  
RELEASE  
LEVER

N (neutral)



F (forward)

R (reverse)

To shift gears, move the control lever to select the F (forward), N (neutral), or R (reverse) gear.

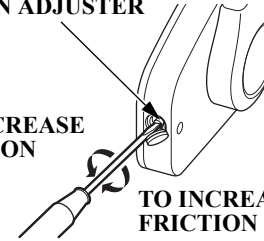
The control lever cannot be moved from the N (neutral) position unless the neutral release lever is squeezed.

Moving the control lever beyond the gear selection range increases engine speed.

CONTROL LEVER  
FRICTION ADJUSTER

TO DECREASE  
FRICTION

TO INCREASE  
FRICTION



Adjust the control lever friction adjuster so the control lever will hold a constant throttle setting while cruising.

## STEERING

### *Tiller Handle Type*

**RIGHT TURN**



Move the tiller handle to the left.

**LEFT TURN**



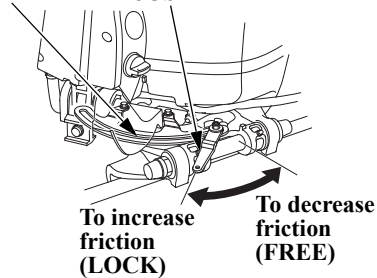
Move the tiller handle to the right.

Steer by moving the tiller handle opposite the direction you want the boat to turn.

### *Steering Friction Adjuster*

**FRICION PLATE**

**STEERING FRICTION ADJUSTER**



Use the steering friction adjuster to help hold a steady course while cruising.

Move the adjuster to the LOCK direction to increase steering friction for holding a steady course.

Move the adjuster to the FREE direction to decrease friction for easy turning.

#### **NOTICE**

*Do not apply grease or oil on the friction plate. Grease or oil will reduce the friction of the adjuster.*

### *LRT Type (remote control)*

Steer the boat in the same manner as an automobile.

# OPERATION

---

## CRUISING

### Engine Speed

For best fuel economy, limit the throttle opening to 80%. Use the throttle friction control (p. 63 – 64) to help you hold a steady speed.

For rough water conditions or large waves, slow down to prevent the propeller from rising out of the water.

The engine is equipped with an overrev limiter to prevent the possibility of mechanical damage from excessive engine speed.

If, for example, the outboard motor is tilted excessively or propeller ventilation occurs during a sharp turn, the engine may overrev, activating the overrev limiter.

If engine speed becomes unstable at high speed due to activation of the overrev limiter, reduce speed and check the trim angle of the outboard motor.

### Trim

Use the power trim/tilt switch to trim the outboard motor for the best performance and stability.

You can use the power trim/tilt switch at any time, whether the boat is underway or stopped.

Press the UP or DN (down) side of the switch to adjust the angle of the outboard motor.

Refer to the trim meter (p. 33) for an indication of whether the outboard motor is trimmed high or low.

It is necessary to trim the angle of the outboard motor to compensate for changes in boat load, weight distribution, water conditions, or propeller selection.

Under normal conditions, the boat will perform best when the antiventilation plate is level with the water surface.

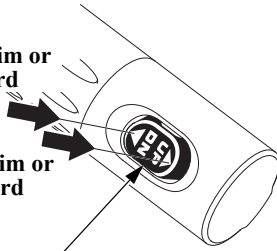
When cruising into a high wind, trim the outboard motor down slightly to level the boat and improve stability. With a tail wind, trim the outboard motor up slightly.

## Tiller Handle Type

Press DN to trim or tilt the outboard motor down.

Press UP to trim or tilt the outboard motor up.

POWER TRIM/TILT SWITCH



## LRT Type (remote control)

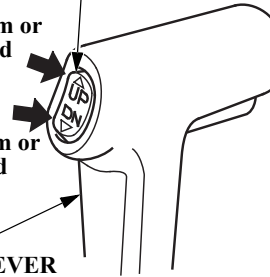
### Side-Mount Control Type

POWER TRIM/TILT SWITCH

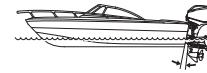
Press UP to trim or tilt the outboard motor up.

Press DN to trim or tilt the outboard motor down.

CONTROL LEVER



OUTBOARD MOTOR TRIMMED TOO LOW



OUTBOARD MOTOR TRIMMED TOO HIGH



OUTBOARD MOTOR TRIMMED CORRECTLY



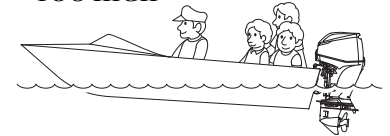
BOW TOO LOW DUE TO

1. LOAD IN THE FRONT
2. OUTBOARD MOTOR TRIMMED TOO LOW



BOW TOO HIGH DUE TO

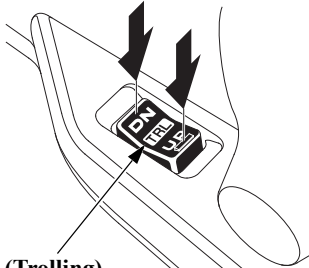
1. LOAD IN THE REAR
2. OUTBOARD MOTOR TRIMMED TOO HIGH



# OPERATION

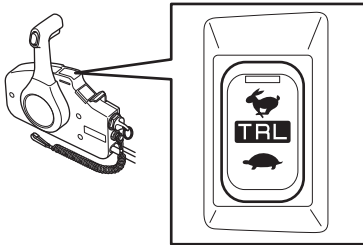
## Trolling Speed Control (optional equipment)

### Tiller handle type



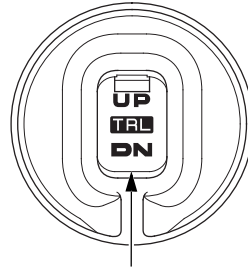
TRL (Trolling)  
CONTROL SWITCH

### Remote Control Box (Side-mount control type)



TRL (Trolling)  
CONTROL SWITCH

## Trolling Control Switch Panel



TRL (Trolling) CONTROL SWITCH

DN: Reduce engine speed  
UP: Increase engine speed

Place the outboard motor in-gear with the throttle control in the fully closed (idle) position. Press and hold the UP or DN side of the TRL control switch to activate the Trolling Speed Control. The buzzer will make one long sound indicating activation. The initial trolling speed is set at 850 RPM.

The engine speed can be adjusted in 50 RPM increments by pressing the UP or DN side of the TRL control switch. A short sound of the buzzer occurs each time the engine speed is adjusted.

In Trolling Speed Control mode, the engine speed can be adjusted between 750 and 1,000 RPM.

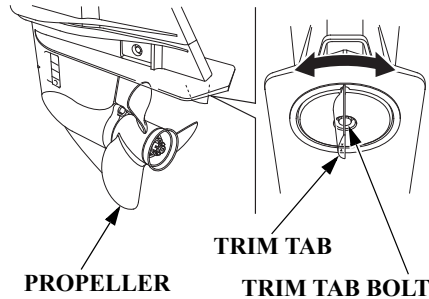
Continuing to press the switch when at either of these limits will result in two short sounds from the buzzer.

The throttle control will operate when in the Trolling Speed Control mode, but once the speed reaches 3,000 RPM, the Trolling Speed Control is deactivated. If 3,000 RPM is not reached and the throttle is closed, the engine speed will decrease to the Trolling Speed Control setting.

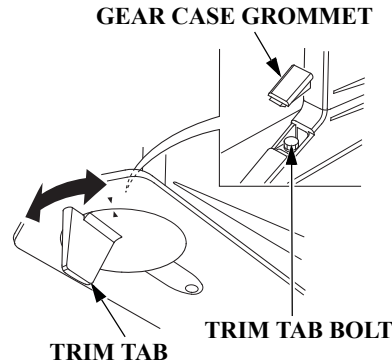
## TRIM TAB

If steering effort is not equal in both directions, adjust the trim tab to compensate for “torque steer,” which is the reaction of the outboard motor to propeller rotation.

### BFT60A model:



### BFW60A model:



Adjust the trim tab with the engine stopped. Remove the gear case grommet (BFW60A model). Loosen the bolt above the trim tab, turn the trim tab, and then tighten the bolt securely.

When the trim tab is correctly adjusted, steering effort will be equal in both directions.

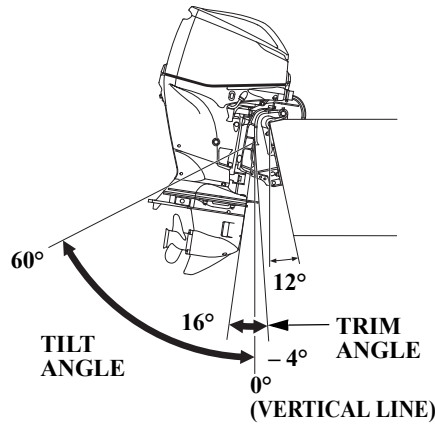
Refer to *TRIM TAB ADJUSTMENT* on p. 78.

# OPERATION

## SHALLOW WATER OPERATION

When operating in shallow water, use the power trim/tilt switch (p. 67) to tilt the outboard motor so that the propeller and gear case won't hit the bottom.

Proceed at low speed, and monitor water flow from the cooling system indicator (p. 37) to be sure the outboard motor is not tilted so high that the water intakes are out of the water.



(when transom angle is 12°)



## MOORING, BEACHING, LAUNCHING

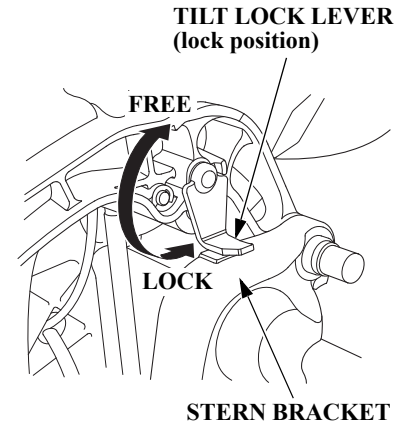
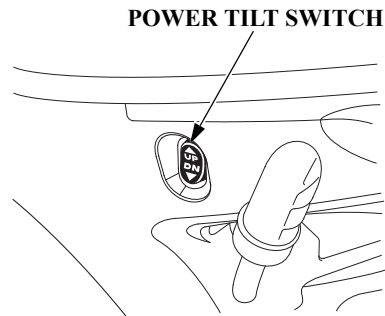
Before tilting up, leave the outboard motor in the running position for one minute after stopping the engine to drain the water from inside the engine.

Stop the engine and disconnect the fuel hose from the outboard motor before tilting the outboard motor.

To raise the outboard motor out of the water while the engine is stopped and the boat is moored, or for maximum clearance when beaching or launching, use the power tilt switch on the engine pan to tilt the outboard motor up as far as it will go. Move the tilt lock lever to the LOCK position, and then gently lower the outboard motor until the lever contacts the stern bracket.

If more clearance is needed to swing the tilt lock lever into the LOCK position, rock the outboard motor forward slightly by pulling on the engine cover grip.

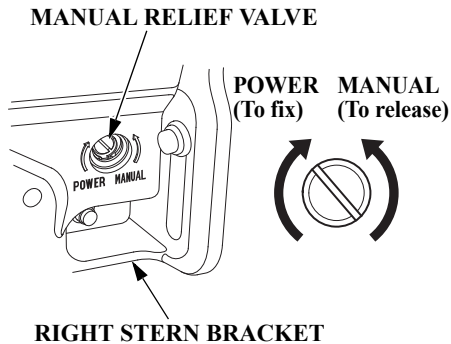
To lower the outboard motor, tilt up, move the tilt lock lever to the FREE position, and then lower the outboard motor to the desired position.



### NOTICE

*Do not attempt to use the power tilt switch to tilt the outboard motor down while the tilt lock lever is in the LOCK position. Damage to the power tilt system may occur.*

## OPERATION



The outboard motor can also be tilted manually after opening the manual relief valve. This feature enables the outboard motor to be tilted up or down when no battery is connected.

For manual tilting, use a flat blade screwdriver to turn the valve counterclockwise 3 and a half turns. Close the valve firmly after positioning the outboard motor.

Check that nobody is under the outboard motor before opening the manual relief valve. If the manual relief valve is loosened (turned counterclockwise) when the outboard motor is tilted up, the outboard motor will suddenly tilt down.

Be sure the valve is closed before operating the outboard motor. If the valve is not closed, the outboard motor will tilt up when operated in reverse.

## MULTIPLE OUTBOARD MOTORS

On boats equipped with more than one outboard motor, all motors normally operate at the same time.

If one or more motor(s) is stopped while the other(s) is running, put the stopped motor in "N" (neutral) and tilt it up so its propeller is above the water's surface.

If the propeller of the stopped motor is left in the water, it may turn as the boat moves through the water, causing a reverse flow of water from the exhaust side. This reverse flow will happen if the stopped engine's propeller is in the water, its gearshift is in "R" (reverse), and the boat is moving forward. Reverse flow can cause an engine malfunction.

# SERVICING YOUR OUTBOARD MOTOR

## THE IMPORTANCE OF MAINTENANCE

Proper maintenance is essential for safe, economical, and trouble-free operation. It will also help reduce air pollution.

### **WARNING**

Improperly maintaining this outboard motor or failure to correct a problem before operation can cause a malfunction in which you could be seriously hurt or killed.

Always follow the inspection and maintenance recommendations and schedules in this Owner's Manual.

To help you properly care for your outboard motor, the following pages include a maintenance schedule, routine inspection procedures, and simple maintenance procedures using basic hand tools. Other service tasks that are more difficult or require special tools are best handled by professionals and are normally performed by a TOHATSU technician or other qualified mechanic.

The maintenance schedule applies to normal operating conditions. If you operate your outboard motor under unusual conditions, consult an authorized TOHATSU dealer for recommendations applicable to your individual needs and use.

Remember that your authorized TOHATSU dealer knows your outboard motor best and is fully equipped to maintain and repair it.

To ensure the best quality and reliability, use only new, TOHATSU Genuine parts or their equivalents for repair and replacement.

**Maintenance, replacement, or repair of the emission control devices and systems may be performed by any marine engine repair establishment or individual, using parts that are “certified” to EPA standards.**

# SERVICING YOUR OUTBOARD MOTOR

## MAINTENANCE SAFETY

Some of the most important safety precautions follow. However, we cannot warn you of every conceivable hazard that can arise in performing maintenance. Only you can decide whether or not you should perform a given task.

### **WARNING**

Failure to properly follow maintenance instructions and precautions can cause you to be seriously hurt or killed.

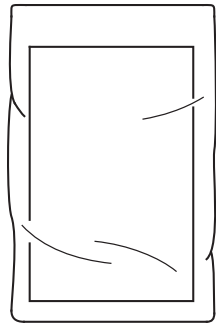
Always follow the procedures and precautions in the Owner's Manual.

## Safety Precautions

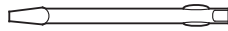
- Make sure the engine is off before you begin any maintenance or repairs. This will eliminate several potential hazards:
  - **Carbon monoxide poisoning from engine exhaust.**  
Do not start or run the engine in a confined or partly enclosed area.
  - **Burns from hot parts.**  
Let the engine and exhaust system cool before touching.
  - **Injury from moving parts.**  
Do not run the engine unless instructed to do so.
- Read the instructions before you begin, and make sure you have the tools and skills required.
- To reduce the possibility of fire or explosion, be careful when working around gasoline. Use only a nonflammable solvent, not gasoline, to clean parts. Keep cigarettes, sparks, and flames away from all fuel-related parts.
- Wear gloves when handling the propeller to protect your hands from sharp edges.

# SERVICING YOUR OUTBOARD MOTOR

## TOOL KIT and OWNER'S MANUAL



**OWNER'S  
MANUAL**



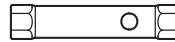
**FLAT  
SCREWDRIVER**



**GRIP**



**FUSE PULLER**



**SPARK PLUG  
WRENCH**



**10 mm  
BOX WRENCH**



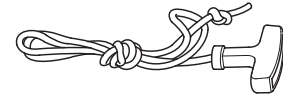
**TOOL BAG**

The tool kit can be used for simple maintenance procedures and emergency repairs. Keep these items on the boat so that they will always be available if you need them.

Always carry a spare emergency stop switch clip onboard. The spare clip may either be stored in the tool bag or in an easily accessible location on the boat.

If your tool kit needs replacement, it is not available as a kit and each item must be ordered individually.

## EMERGENCY STARTER ROPE



**EMERGENCY STARTER ROPE**

An emergency starter rope is supplied. Keep the emergency starter rope on the boat, so it will always be available if you need it.

# SERVICING YOUR OUTBOARD MOTOR

## MAINTENANCE SCHEDULE

Follow the MAINTENANCE SCHEDULE table and service your outboard motor accordingly.

REGULAR SERVICE PERIOD (3) Perform at every indicated month or operating hour interval, whichever comes first.		Each use	After use	First month or 20 hrs.	Every 6 months or 100 hrs.	Every year or 200 hrs.	Every 2 years or 400 hrs.	Refer to page
ITEM								
Engine oil	Check level	o						81
	Change			o	o			83
Gear case oil	Change			o (2)	o (2)			—
Engine oil filter	Replace					o (2)		—
Timing belt	Check-adjust					o (2)		—
Throttle linkage	Check-adjust			o (2)	o (2)			—
Idle speed	Check-adjust			o (2)	o (2)			—
Valve clearance	Check-adjust					o (2)		—
Spark plug	Check-adjust/Replace				o			85 – 86
Propeller and cotter pin	Check	o						97
Anode metal (Outside engine)	Check	o						96
Anode metal (Inside engine)	Check						o (2) (7)	—
Lubrication	Grease			o (1)	o (1)			87 – 88
Fuel tank and tank filter	Clean					o		95
Thermostat	Check					o (2)		—

- (1) Lubricate more frequently when used in salt water.
- (2) These items should be serviced by your servicing dealer, unless you have the proper tools and are mechanically proficient. Refer to the TOHATSU service manual for service procedures.
- (3) For professional commercial use, log hours of operation to determine proper maintenance intervals.
- (7) Replace the anodes when they have been reduced to about one third their original size, or if they are crumbling.

## SERVICING YOUR OUTBOARD MOTOR

REGULAR SERVICE PERIOD (3) Perform at every indicated month or operating hour interval, whichever comes first.		Each use	After use	First month or 20 hrs.	Every 6 months or 100 hrs.	Every year or 200 hrs.	Every 2 years or 400 hrs.	Refer to page
ITEM								
Fuel filter (Low pressure side)	Check	o (5)			o			92 – 95
	Replace						o	
Fuel filter (High pressure side)	Check				o (2)			—
	Replace						o (2)	
Fuel line	Check	o (8)						—
	Replace		Every 2 years (If necessary) (2) (9)					
Battery and cable connection	Check level-tightness	o						—
Bolts and nuts	Check-tightness			o (2)	o (2)			—
Crankcase breather tube	Check					o (2)		—
Cooling water passages	Clean		o (4)					—
Water pump	Check					o (2)		—
Emergency stop switch	Check	o						45
Engine oil leak	Check	o						—
Each operation part	Check	o						—
Engine condition (6)	Check	o						—
Power Trim/Tilt	Check				o (2)			—
Shift Cable	Check-adjust				o (2)			—

- (2) These items should be serviced by your servicing dealer, unless you have the proper tools and are mechanically proficient. Refer to the TOHATSU service manual for service procedures.
- (3) For professional commercial use, log hours of operation to determine proper maintenance intervals.
- (4) When operating in salt water, turbid or muddy water, the engine should be flushed with clean water after each use.
- (5) Check for water and/or contamination.
- (6) Upon starting, check for unusual engine sounds and cooling water flowing freely from the check hole.
- (8) Check the fuel line for leaks, cracks or damage. If it is leaking, cracked or damaged, take it to your servicing dealer for replacement before using your outboard.
- (9) Check the fuel line for leaks, cracks, or damage. Replace the fuel line if there are signs of leaks, cracks or damage.

# SERVICING YOUR OUTBOARD MOTOR

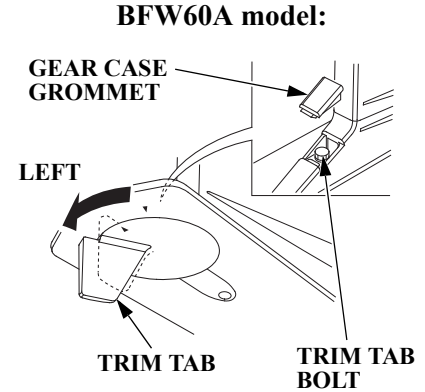
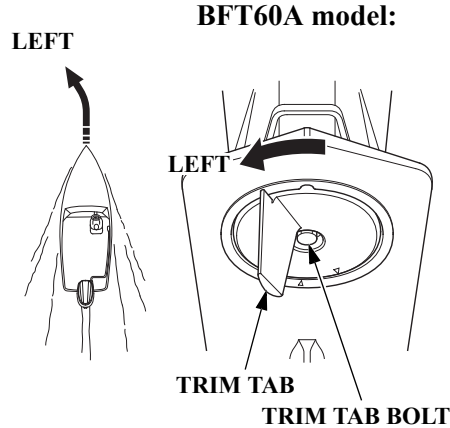
## TRIM TAB ADJUSTMENT

The trim tab compensates for “torque steer,” which is a reaction of the outboard motor to propeller rotation.

If uncompensated, torque steer would make the outboard motor tend to turn to one side.

When the trim tab is correctly adjusted, steering effort is equal in either direction.

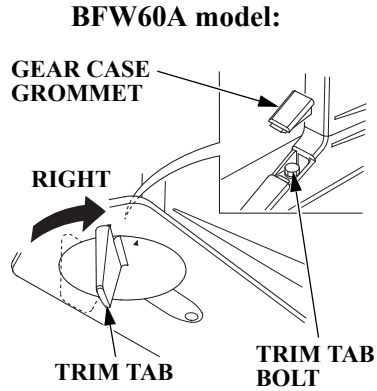
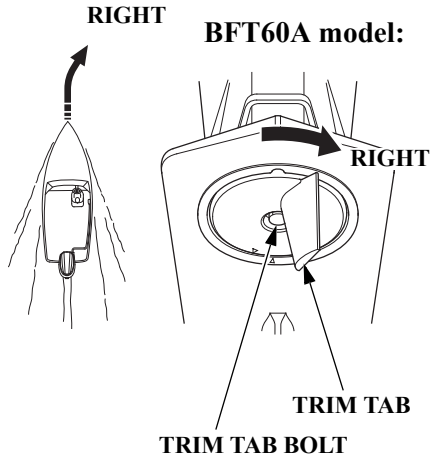
If steering effort is unequal, remove the gear case grommet (BFW60A model) and loosen the trim tab bolt and adjust the angle of the trim tab. Retighten the trim tab bolt securely. Reinstall the gear case grommet (BFW60A model).



If less effort is required to make left turns, move the back of the trim tab left.



# SERVICING YOUR OUTBOARD MOTOR



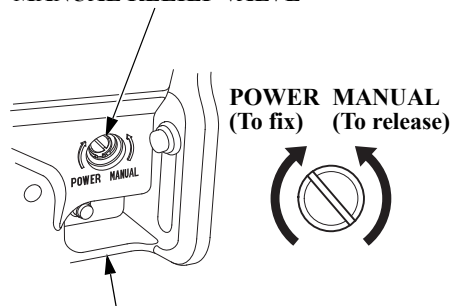
If less effort is required to make right turns, move the back of the trim tab right.

Adjust the trim tab in small increments, and retest steering effort with the boat evenly loaded and running at cruising speed.

# SERVICING YOUR OUTBOARD MOTOR

## MANUAL RELIEF VALVE

### MANUAL RELIEF VALVE



### RIGHT STERN BRACKET

The outboard motor can be tilted manually after opening the manual relief valve. This feature enables the outboard motor to be tilted up or down when no battery is connected.

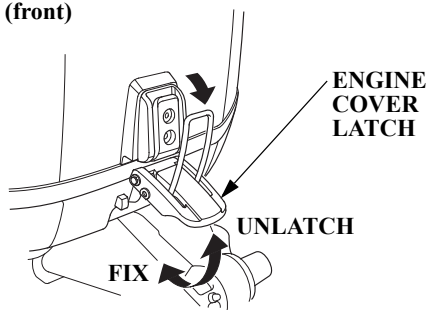
For manual tilting, use a flat blade screwdriver to turn the valve counterclockwise 3 and a half turns. Close the valve firmly after positioning the outboard motor.

Check that nobody is under the outboard motor before opening the manual relief valve. If the manual relief valve is loosened (turned counterclockwise) when the outboard motor is tilted up, the outboard motor will suddenly tilt down.

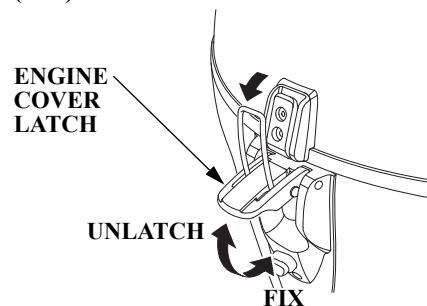
Be sure the valve is closed before operating the outboard motor. If the valve is not closed, the outboard motor will tilt up when operated in reverse.

## ENGINE COVER REMOVAL AND INSTALLATION

(front)



(rear)



The engine cover latches fasten the engine cover to the outboard motor.

To remove the engine cover, unlatch both front and rear latches, then lift the engine cover off the outboard motor.

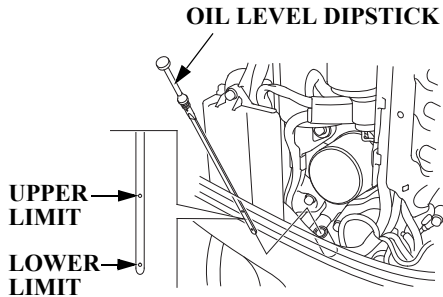
To install the engine cover, place the cover on the outboard motor, then latch both front and rear latches securely.

# SERVICING YOUR OUTBOARD MOTOR

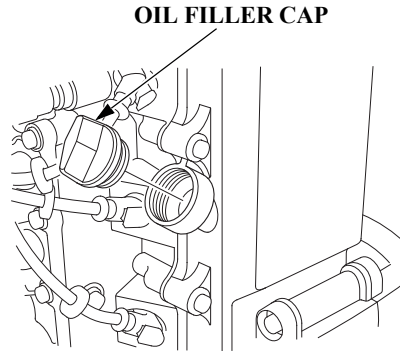
## Engine Oil Level Check

Check the engine oil level with the engine stopped and the outboard motor in the vertical position.

1. Unlatch and remove the engine cover (p. 80).
2. Remove the dipstick and wipe it clean.



3. Insert the dipstick all the way in, then remove it and check the oil level shown on the dipstick.



4. If the oil level is low, remove the oil filler cap, and add oil to reach the upper limit mark shown on the dipstick. Use the oil recommended on p. 84.

### NOTICE

- *Running the engine with a low oil level can cause engine damage.*
  - *Do not overfill. Overfilling the engine will cause it to smoke or have oil leaks.*
5. Install the oil filler cap and tighten it securely.
  6. Install and lock the engine cover.

## SERVICING YOUR OUTBOARD MOTOR

---

When you check the oil level with the dipstick, you might notice the engine oil appears milky or the oil level has increased. If you notice either condition, change the engine oil. See the following table for an explanation of these conditions.

Operating Method	Result	Effect
Running the engine below 3,000 rpm for more than 30% of the time so the engine does not warm up.	<ul style="list-style-type: none"><li>• Water condenses in the engine and mixes with the oil, resulting in a milky appearance.</li><li>• Unburned fuel mixes with the oil, increasing the volume of oil.</li></ul>	The engine oil deteriorates, becomes less efficient as a lubricant, and causes an engine malfunction.
Frequent starting and stopping without allowing the engine to warm up.		

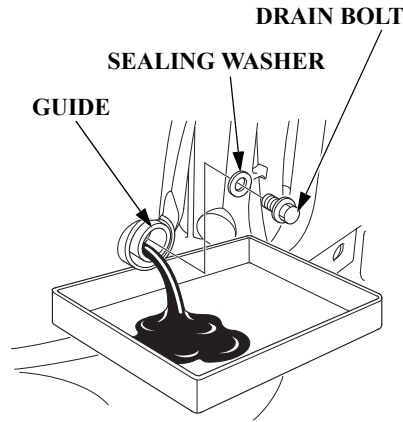
# SERVICING YOUR OUTBOARD MOTOR

## Engine Oil Change

An engine oil evacuation device may be used to remove the engine oil.

Drain the used oil while the engine is warm. Warm oil drains quickly and completely.

1. Unlatch and remove the engine cover (p. 80).



2. Place a suitable container below the oil drain guide to catch the used oil, and then remove the oil filler cap (p. 81) and the drain bolt.
3. Allow the used oil to drain completely. Use a new sealing washer, and then reinstall the engine oil drain bolt and washer. Tighten the drain bolt securely.

**DRAIN BOLT TIGHTENING TORQUE:**  
17 lbf·ft (23 N·m, 2.3 kgf·m)

### NOTICE

*Improper disposal of engine oil can be harmful to the environment. If you change your own oil, please dispose of the used oil properly. Put it in a sealed container, and take it to a recycling center. Do not throw it in the trash, pour it on the ground or down a drain.*

# SERVICING YOUR OUTBOARD MOTOR

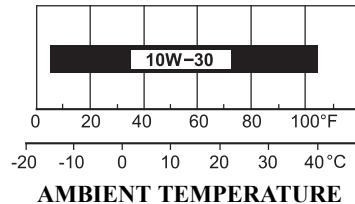
4. With the outboard motor in a vertical position, fill to the upper limit mark on the dipstick (p. 81) with the recommended oil.  
Engine oil refill capacity:  
Without oil filter change:  
2.7 US qt (2.6 L)  
With oil filter change:  
2.9 US qt (2.7 L)
5. Install the oil filler cap and tighten it securely (p. 81).
6. Install and lock the engine cover.

## Engine Oil Recommendations

Oil is a major factor affecting performance and service life. Use 4-stroke detergent oil.

Use 4-stroke high detergent, premium quality motor oil certified to meet or exceed U.S. automobile manufacturer's requirements for API Service category SG, SH or SJ. Motor oils classified SG, SH or SJ will show this designation on the container.

SAE 10W-30 is recommended for general use.



# SERVICING YOUR OUTBOARD MOTOR

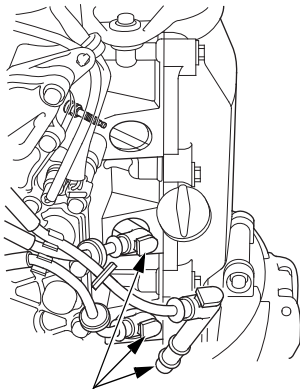
## Spark Plug Service

RECOMMENDED SPARK PLUGS:  
LMAR6C-9 (NGK)

### NOTICE

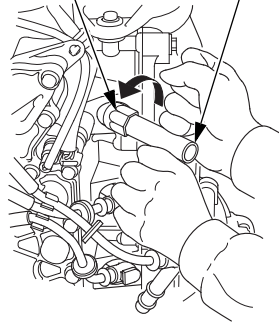
*Incorrect spark plugs can cause engine damage.*

1. Unlatch and remove the engine cover (p. 80).



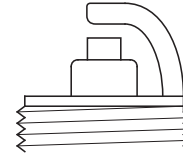
SPARK PLUG CAPS

10 mm BOX WRENCH  
SPARK PLUG WRENCH

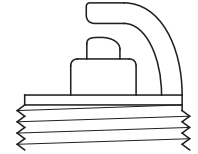


2. Disconnect the spark plug caps from the spark plugs.
3. Remove the spark plugs with a spark plug wrench and 10 mm box wrench.

New plug



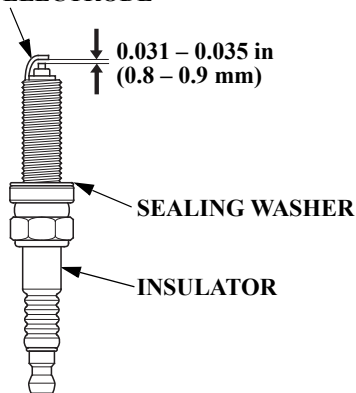
Plug needing replacement



4. Inspect the spark plugs. Replace them if the electrodes are worn, or if the insulators are cracked or chipped.

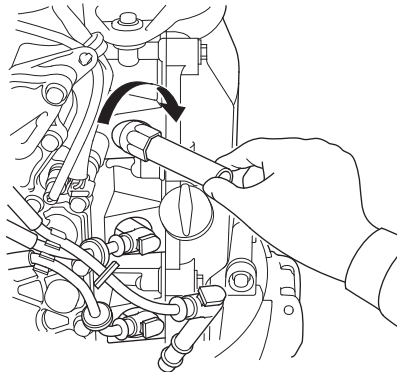
## SERVICING YOUR OUTBOARD MOTOR

### SIDE ELECTRODE



5. Measure the spark plug electrode gap with a wire-type feeler gauge. Correct the gap, if necessary, by carefully bending the side electrode.

The gap should be:  
0.031 – 0.035 in (0.8 – 0.9 mm)



6. Install the spark plugs carefully, by hand, to avoid cross-threading.

7. After each spark plug seats, tighten with a spark plug wrench and 10 mm box wrench to compress the sealing washer.

If reinstalling used spark plugs, tighten 1/8 – 1/4 turn after the spark plug seat.

If installing new spark plugs, tighten 1/2 turn after the spark plug seat.

**SPARK PLUG TORQUE:**  
12 lbf·ft (16 N·m, 1.6 kgf·m)

### NOTICE

*Loose spark plugs can overheat and damage the engine.*

*Overtightening the spark plugs can damage the threads in the cylinder head.*

8. Attach the spark plug caps.  
9. Install and lock the engine cover.



# SERVICING YOUR OUTBOARD MOTOR

## Lubrication Points

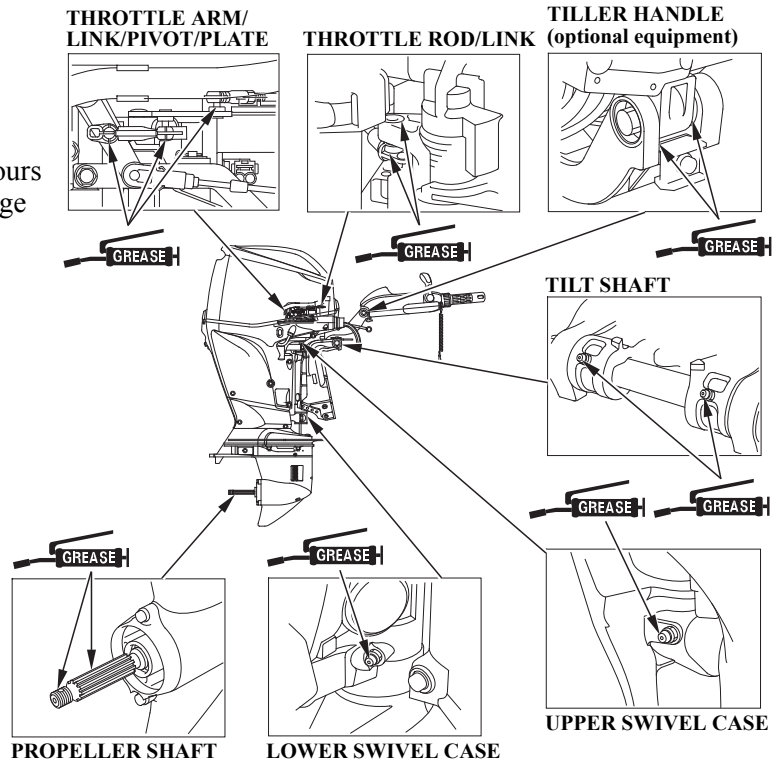
Apply TOHATSU Marine grease to the parts shown below:

Lubrication interval:

After the first 20 hours or 1 month, then every 100 hours or 6 months (refer to the maintenance schedule on page 76).

### NOTICE

*To prevent corrosion, apply anticorrosion oil to pivot surfaces where grease cannot penetrate.*

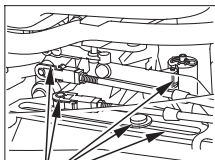


Apply corrosion inhibitor to all areas under the engine cover and any exposed metal surfaces except the belts.

# SERVICING YOUR OUTBOARD MOTOR

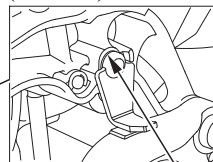
---

**SHIFT LINK BRACKET/  
SHIFT PIVOT/SHIFT  
ARM/LINK PIN/PIVOT  
PLATE/SLIDE PIVOT/  
CLICK SPRING  
ROLLER**



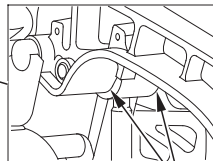
**GREASE**

**TILT LOCK LEVER  
(each side)**



**GREASE**

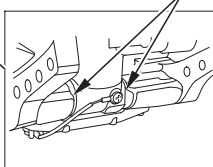
**UPPER CYLINDER  
PIN/BUSHING**



**GREASE**

**GREASE**

**LOWER CYLINDER  
BUSHING/COLLAR**



# SERVICING YOUR OUTBOARD MOTOR

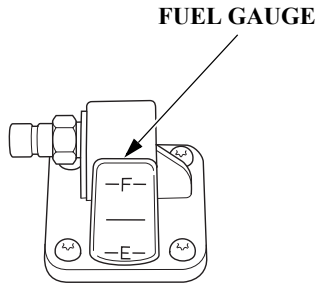
## REFUELING

### Portable Fuel Tank (optional equipment)

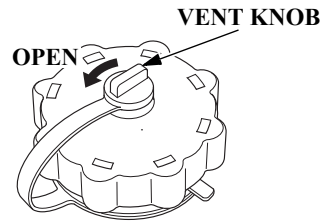
FUEL TANK CAPACITY:  
6.6 US gal (25 L)

Check the fuel gauge and refill the tank when necessary.

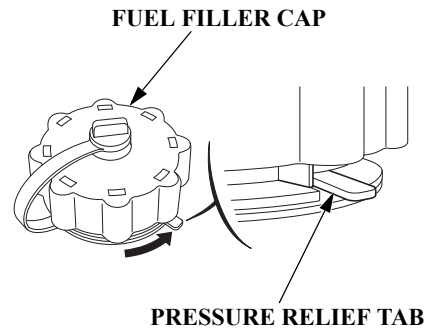
Remove the fuel tank from the boat for refueling.



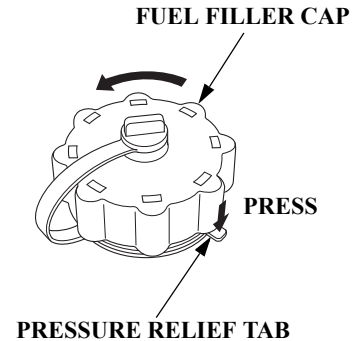
1. Turn the vent knob counterclockwise all the way to open the vent.



2. Turn the fuel filler cap counterclockwise so that it touches the pressure relief tab.



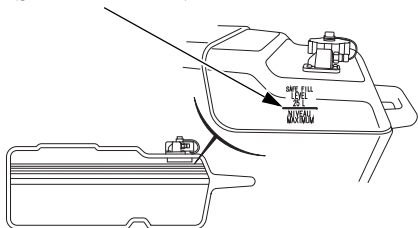
3. Press down the pressure relief tab, and then turn the fuel filler cap 1/4 counterclockwise. Release the pressure relief tab. Wait to relieve pressure.



4. The fuel filler cap will lock again. Press down the pressure relief tab, and turn counterclockwise to remove the fuel filler cap.

# SERVICING YOUR OUTBOARD MOTOR

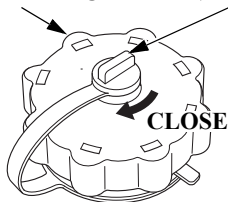
## SAFE FILL LEVEL



Refuel in a well-ventilated area. Fill the tank to the SAFE FILL LEVEL line.

After refueling, install the cap and tighten it until you hear it click. Close the vent by turning the vent knob clockwise all the way, and return the fuel tank to the boat.

## FUEL FILLER CAP VENT KNOB



## Using the fuel tank mounted in the boat.

Check the fuel level and refill if necessary. Do not fill the fuel tank above the UPPER LIMIT. Refer to the boat manufacturer's instructions.

### NOTICE

*Fuel can damage paint and plastic. Be careful not to spill fuel when filling your fuel tank. Damage caused by spilled fuel is not covered under warranty.*

## **⚠** WARNING

Gasoline is highly flammable and explosive, and you can be burned or seriously injured when handling fuel.

- Stop the engine and let it cool before handling fuel.
- Keep heat, sparks, and flame away.
- Handle fuel only outdoors.
- Wipe up spills immediately.

Never refill the fuel tank inside a building where gasoline fumes may reach flames or sparks. Keep gasoline away from appliance pilot lights, barbecues, electric appliances, power tools, etc.

Spilled fuel is not only a fire hazard, it causes environmental damage. Wipe up spills immediately.

### FUEL RECOMMENDATIONS

**Use unleaded gasoline with a pump octane rating of 86 or higher.**

Your outboard motor is certified to operate on unleaded gasoline. Unleaded gasoline produces fewer engine and spark plug deposits and extends exhaust system life.

Never use stale or contaminated gasoline or an oil/gasoline mixture. Avoid getting dirt or water in the fuel tank.

You may use unleaded gasoline containing no more than 10% ethanol (E10) or 5% methanol by volume. In addition, methanol must contain cosolvents and corrosion inhibitors.

Use of fuels with content of ethanol or methanol greater than shown above may cause starting and/or performance problems. It may also damage metal, rubber, and plastic parts of the fuel system.

Engine damage or performance problems that result from using a fuel with percentages of ethanol or methanol greater than shown above are not covered under warranty. If your outboard motor will be used on an infrequent or intermittent basis, please refer to the fuel section of the *STORAGE* chapter (p. 101) for additional information regarding fuel deterioration.

# SERVICING YOUR OUTBOARD MOTOR

## Fuel Filter/Water Separator Inspection and Service

The fuel filter is located near the engine cover latch on the boat side.

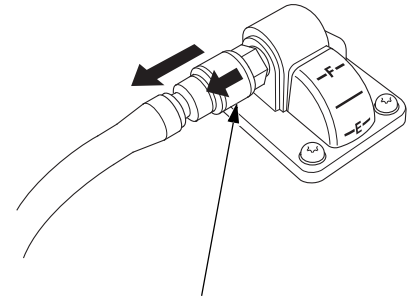
Water or sediment accumulation in the filter can cause loss of power or hard starting. To prevent engine malfunction, inspect the filter and replace when necessary.

A red ring float is located inside the strainer cup. It floats on top of the water and indicates how much water has accumulated in the strainer cup.

### **WARNING**

Gasoline is highly flammable and explosive, and you can be burned or seriously injured when handling fuel.

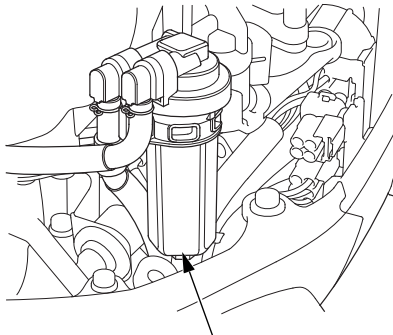
- Stop the engine and let it cool before handling fuel.
- Keep heat, sparks, and flame away.
- Handle fuel only outdoors.
- Wipe up spills immediately.



**FUEL TANK HOSE ASSEMBLY CONNECTOR**

1. Remove the engine cover (p. 80) and disconnect the fuel tank hose assembly connector from the fuel tank.

# SERVICING YOUR OUTBOARD MOTOR

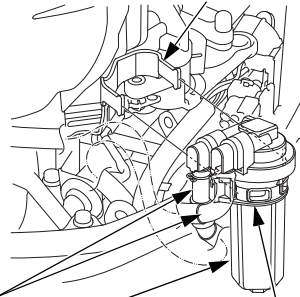


**FUEL FILTER  
(inside strainer cup)**

2. Inspect the filter for water and/or sediment accumulation.

If water and/or sediment are present, clean the strainer cup and filter or replace the filter as described in the following steps. Always replace the filter at the scheduled replacement interval (p. 77).

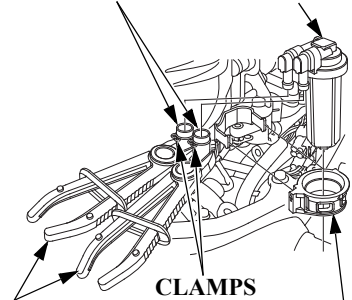
**FUEL FILTER BRACKET**



**FUEL HOSES**  
**FUEL FILTER  
(inside strainer cup)**  
**SUSPENSION STRAP**

3. Remove the suspension strap from the fuel filter bracket, and then remove the strap from the fuel filter assembly.
4. Place commercially available hose clips on the fuel hoses on each side of the filter to prevent fuel leakage when the fuel hoses are disconnected.

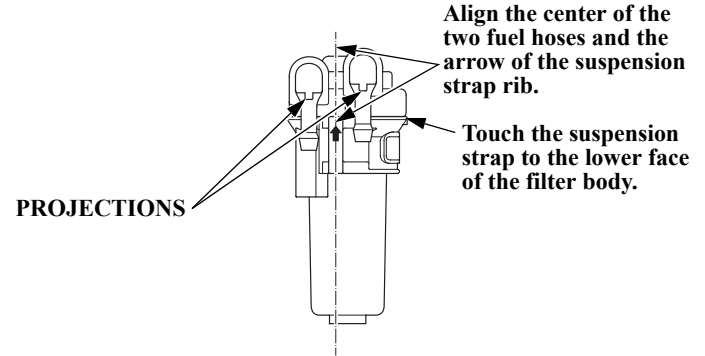
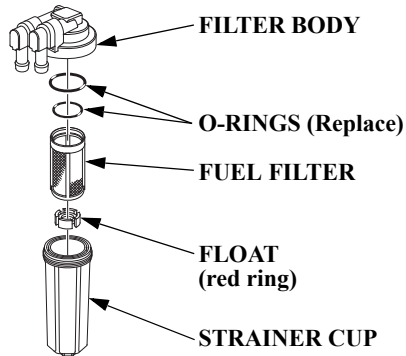
**FUEL HOSES**  
**FUEL FILTER ASSEMBLY**



**FUEL HOSES**  
**FUEL FILTER ASSEMBLY**  
**CLAMPS**  
**HOSE CLIPS  
(commercially available)**  
**SUSPENSION STRAP**

5. Disconnect the fuel tubes from the fuel filter assembly.

# SERVICING YOUR OUTBOARD MOTOR



6. Unscrew the strainer cup from the filter body.

7. Thoroughly clean the strainer cup and fuel filter.

If the fuel filter is contaminated, replace it with a new one.

8. Install the fuel filter, float, new O-rings and strainer cup.

TIGHTENING TORQUE:  
2.2 lbf·ft (3 N·m, 0.3 kgf·m)

9. Install the suspension strap to the fuel filter assembly as shown above.

10. Reinstall the fuel filter assembly and suspension strap in the reverse order of removal.



# SERVICING YOUR OUTBOARD MOTOR

11. Align the white paint on the fuel hoses and the projections of the filter body.  
Connect the fuel hoses to the fuel filter securely with the hose clamps. Remove the fuel hose clips used to close the fuel hoses.
12. Securely connect the fuel tank hose assembly connector to the outboard motor (refer to page 49).
13. Prime the engine using the priming bulb (p. 50). Check for fuel leaks. Repair any fuel leaks if necessary.

If loss of power or hard starting are found to be caused by excessive water or sediment accumulation in the fuel filter, inspect the fuel tank.

Clean the fuel tank and tank filter if necessary. It may be necessary to drain the fuel tank completely and refill with fresh gasoline.

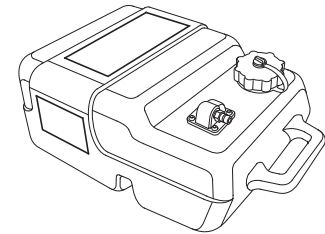
## Portable Fuel Tank and Tank Filter Cleaning (optional equipment)

### **⚠ WARNING**

Gasoline is highly flammable and explosive, and you can be burned or seriously injured when handling fuel.

- Stop the engine and let it cool before handling fuel.
- Keep heat, sparks, and flame away.
- Handle fuel only outdoors.
- Wipe up spills immediately.

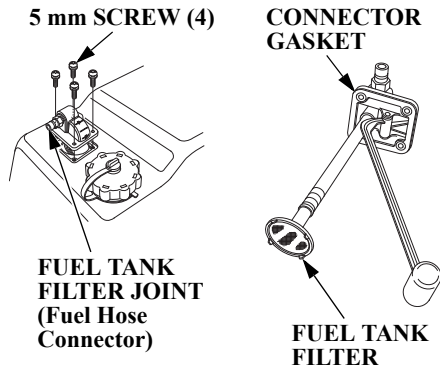
## *Fuel Tank*



Empty the portable fuel tank into an approved gasoline container. Use a funnel to avoid spilling fuel. Rinse the fuel tank with nonflammable solvent to remove any accumulated sediment.

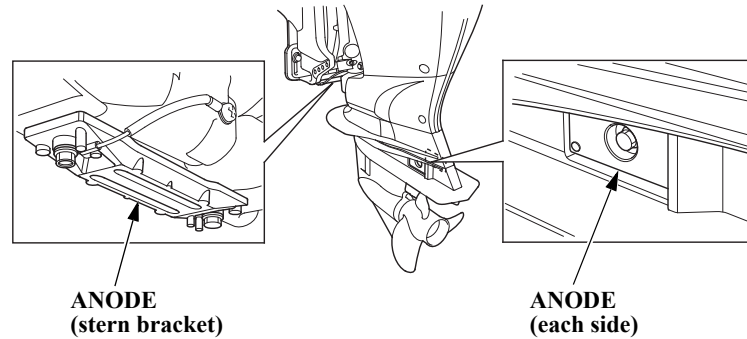
# SERVICING YOUR OUTBOARD MOTOR

## Fuel Tank Filter



1. Remove the four 5 mm screws using a flat screwdriver, then remove the fuel hose connector and fuel tank filter from the tank.
2. Clean the filter in nonflammable solvent. Inspect the fuel tank filter and the connector gasket. Replace them if damaged.
3. Reinstall the filter and hose connector in the fuel tank. Tighten the four 5 mm screws securely.

## Anode Replacement



The anodes are located on each side of the gear case and on the stern bracket. They are made of a sacrificial material that helps to protect the outboard motor from corrosion.

Replace the anodes when they have been reduced to about one third their original size, or if they are crumbling.

### NOTICE

*Painting or coating the anodes will defeat their purpose and will lead to rust and corrosion damage to the outboard motor. The anodes must be exposed to the water in order to protect the outboard motor.*

# SERVICING YOUR OUTBOARD MOTOR

## Propeller Replacement

Before replacing the propeller, remove the emergency stop switch clip from the emergency stop switch to prevent any possibility of the engine being started while you are working with the propeller.

The propeller blades may have sharp edges, so wear heavy gloves to protect your hands.

Operating the outboard motor at higher altitudes will reduce available power. This may require decreasing the propeller pitch to maintain correct engine RPM.

## Removal

1. Remove the cotter pin, unscrew the castle nut, remove the spacer (BFT60A model only), plain washer, and then remove the propeller and thrust washer.
2. Inspect the propeller shaft for any fishing line or debris.

## Installation

1. Apply marine grade grease to the propeller shaft.
2. Install the thrust washer with the grooved side toward the gear case.
3. Install the propeller.
4. Install the spacer (BFT60A model only) and plain washer.
5. Lightly tighten the castle nut by hand or wrench until the propeller has no free play.
6. Tighten the castle nut using a torque wrench.  
CASTLE NUT TIGHTENING TORQUE:  
0.7 lbf·ft (1 N·m, 0.1 kgf·m)
7. Then, using a torque wrench, tighten the castle nut until the first available groove in the castle nut aligns with the cotter pin hole. Do not tighten past the first alignment

of the castle nut groove and the cotter pin hole.

### NOTICE

#### *TIGHTENING TORQUE LIMIT:*

BFT60A model

25 lbf·ft (35 N·m, 3.5 kgf·m)

BFW60A model

33 lbf·ft (44 N·m, 4.5 kgf·m)

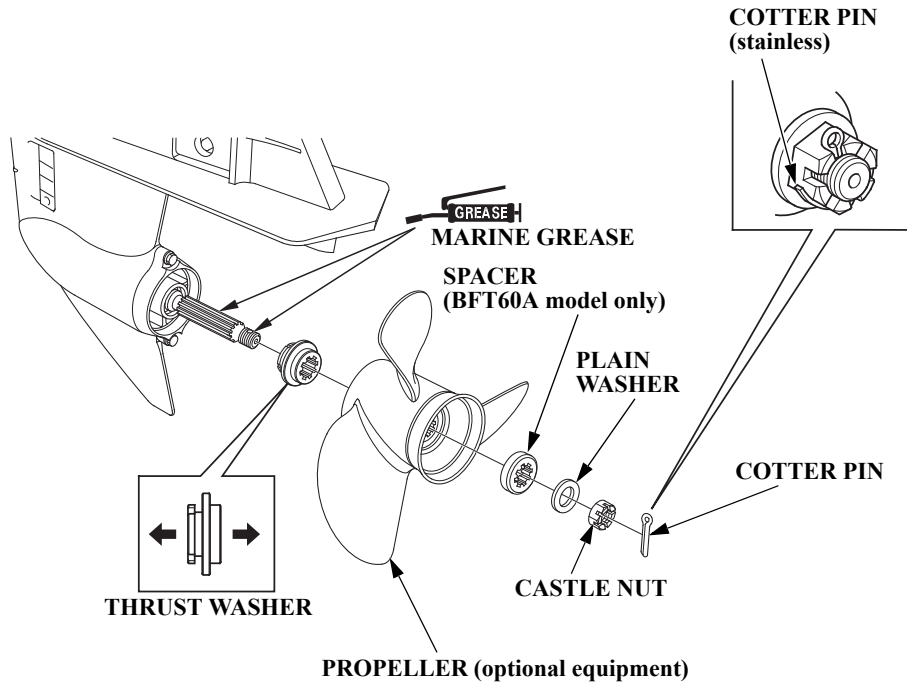
*Do not tighten the castle nut above the TIGHTENING TORQUE LIMIT, or the propeller and shaft may be damaged.*

## SERVICING YOUR OUTBOARD MOTOR

8. Be sure to replace the cotter pin with a new one with a new one.

- Use a TOHATSU Genuine stainless steel cotter pin or equivalent cotter pin and bend the pin ends as shown.

Note that these wrenches are not included with the tool set that comes with the outboard motor. Contact your authorized TOHATSU dealer for additional tool information.



# CLEANING AND FLUSHING

## Cleaning and Flushing

After each use in salt water or dirty water, thoroughly clean and rinse the outboard motor with fresh water.

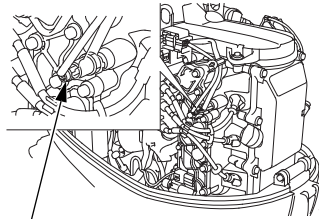
Touch up any damaged paint, and coat areas that may rust with corrosion inhibitor. Lubricate controls with a silicone spray lubricant.

### NOTICE

*Do not apply water or corrosion inhibitor directly to the electrical components under the engine cover, such as the HO2 sensor and timing belt. If water or corrosion inhibitor penetrates these components, they may be damaged. Before applying a corrosion inhibitor, cover the HO2 sensor and timing belt with a protective material to prevent damage.*

### Cleaning

Wash the outside of the outboard motor with clean, fresh water, and flush the cooling system as follows.



**HO2 SENSOR**

## Flushing With a Garden Hose (commercially available)

### NOTICE

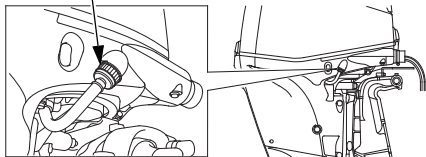
*Do not run the engine when flushing the outboard motor with a garden hose or the outboard motor may be damaged.*

For safety, remove the emergency stop switch clip so the engine cannot be started while you are standing near the propeller.

1. Disconnect the fuel hose from the outboard motor.
2. Tilt down the outboard motor.
3. Clean and wash the outside of the outboard motor with fresh water.

## CLEANING AND FLUSHING

**FLUSH PORT  
CONNECTOR**

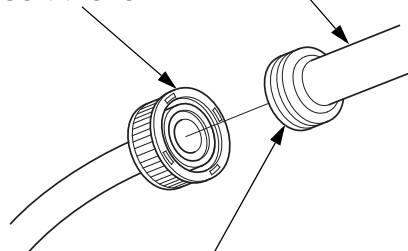


**FLUSH PORT  
CONNECTOR**

4. Disconnect the flush port connector.

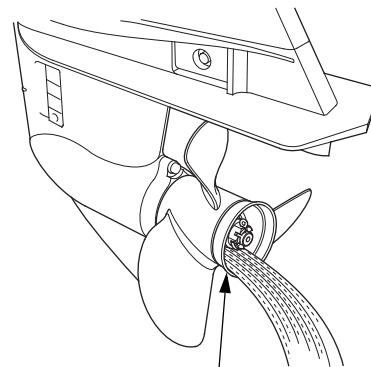
**FLUSH PORT  
CONNECTOR**

**GARDEN HOSE**



**GARDEN HOSE JOINT  
(Commercially available)**

5. Screw the flush port connector onto the garden hose.



**EXHAUST PORT**

6. Turn on the fresh water supply and flush the outboard motor for at least 10 minutes.
7. After flushing, disconnect the garden hose and reconnect the flush port connector.
8. Tilt up the outboard motor and move the tilt lock lever to the LOCK position.

## Fuel

### NOTICE

*Depending on the region where you operate your outboard, fuel formulations may deteriorate and oxidize rapidly. Fuel deterioration and oxidation can occur in as little as 15 days and may cause damage to the fuel system. Please check with your servicing dealer for local storage recommendations.*

Gasoline will oxidize and deteriorate in storage. Old gasoline will cause hard starting, and it leaves gum deposits that clog the fuel system. If the gasoline in your fuel tank and vapor separator deteriorates during storage, you may need to have the vapor separator and other fuel system components serviced or replaced.

The length of time that gasoline can be left in your fuel tank and vapor separator without causing functional problems will vary with such factors

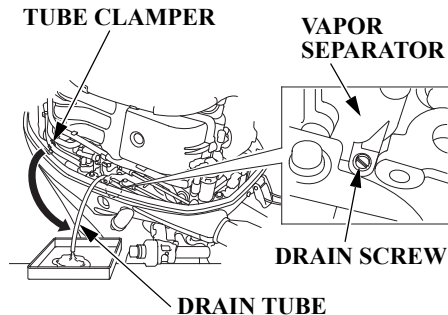
as gasoline blend, your storage temperatures, and whether the fuel tank is partially or completely filled. The air in a partially filled fuel tank promotes fuel deterioration. Very warm storage temperatures accelerate fuel deterioration. Fuel deterioration problems may occur in less than 15 days, if the gasoline was not fresh when you filled the fuel tank.

You can avoid fuel deterioration problems by draining all the fuel from the fuel tank and vapor separator.

## STORAGE

### *Draining the Fuel System*

You can avoid fuel deterioration problems by draining the fuel tank and vapor separator. Before draining and checking the fuel system, check the fuel filter for contamination and/or water accumulation. The fuel filter must be free of any contamination before proceeding (p. 92). Draining the vapor separator will not drain the fuel filter bowl.



1. Disconnect the fuel tank hose assembly connector from the fuel tank (p. 92).
2. Remove the engine cover (p. 80).
3. Release the drain tube from its clamp along the high pressure fuel hose and set the end of the tube toward the outside of the engine undercase. Place an approved gasoline container below the end of the tube, and use a funnel to avoid spilling gasoline.
4. Loosen the vapor separator drain screw.

### **⚠ WARNING**

Gasoline is highly flammable and explosive, and you can be burned or seriously injured when handling fuel.

- Stop the engine and let it cool before handling fuel.
- Keep heat, sparks, and flame away.
- Handle fuel only outdoors.
- Wipe up spills immediately.



5. Tilt the outboard motor up until gasoline flows out of the drain tube.
6. Leave it in that position until the gasoline stops flowing.
7. After thoroughly draining, tighten the drain screw securely.
8. Check the drained gasoline for the presence of water or contamination. If either is present, you will have to reassemble and run the outboard to refill the vapor separator with gasoline and then drain it again. Repeat the following procedure until no water or contamination is present in the removed gasoline.
  - a. Make sure the gasoline supply is not contaminated.
  - b. Reassemble the outboard and reconnect the fuel line connector.
  - c. Place the outboard in water. Use the priming bulb to refill the fuel system and run the outboard at idle for 3 minutes.
  - d. Stop the outboard and follow the procedure beginning with step 1 above.
9. Secure the drain tube to the clamp along the high pressure fuel hose.
10. Install the engine cover.
11. Drain the fuel tank into an approved gasoline container.

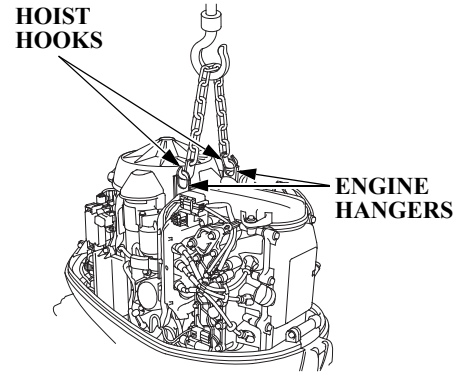
If using the portable fuel tank, close the fuel filler cap vent knob. Store the portable fuel tank in a cool dry place out of direct sunlight.

## STORAGE

### Engine Oil

1. Change the engine oil (p. 83).
2. Remove the spark plugs (p. 85), and remove the emergency stop switch clip from the emergency stop switch.
3. Pour 1 – 2 teaspoons (5 – 10 cm<sup>3</sup>) (p. 119) of clean engine oil into each cylinder.
4. Using the emergency starter rope (p. 58), rotate the flywheel a few revolutions to distribute the oil in the cylinders.
5. Reinstall the spark plugs (p. 86).

### HOISTING THE OUTBOARD MOTOR



1. Unlatch and remove the engine cover (p. 80).
2. Attach the hoist hooks to the engine hangers.
3. Disconnect the outboard motor from the boat, hoist the outboard motor, and move it to the storage area.

4. After the outboard motor is placed in storage and disconnected from the hoist, install the engine cover.

### STORAGE PRECAUTIONS

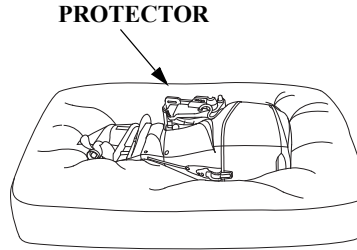
Select a well-ventilated storage area. If possible, avoid storage areas with high humidity.

If storing a container of gasoline, such as the portable fuel tank (optional equipment), store it away from any appliance that operates with a flame, such as a furnace, water heater, or clothes dryer. Also avoid any area with a spark producing electric motor, or where power tools are operated.



**OUTBOARD MOTOR STAND**  
(commercially available)

If the outboard motor will be removed from the boat for storage, we recommend storing it vertically by mounting it on a commercially available stand.



(Starboard side turned down as shown.)

If it is necessary to store the outboard motor horizontally as shown, drain the vapor separator (p. 102), and drain the engine oil (p. 83), before removing the outboard motor from the boat.

Rest the outboard motor on a cushion of protective material.

## NOTICE

*Any other horizontal storage position may cause damage to the outboard motor or oil leakage.*

Cover the outboard motor to keep out dust. Do not use plastic sheet as a dust cover. A nonporous cover will trap moisture, promoting rust and corrosion.

## REMOVAL FROM STORAGE

Check your outboard motor as described in the *BEFORE OPERATION* chapter of this manual.

If the cylinders were coated with oil during storage preparation, the engine may smoke briefly at startup. This is normal.

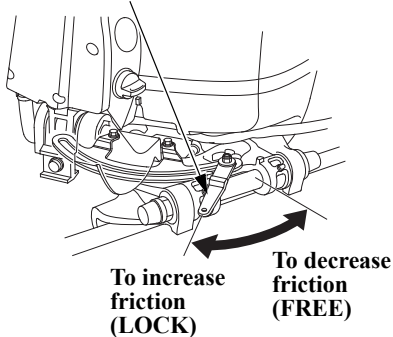
# TRANSPORTING

## WITH OUTBOARD MOTOR INSTALLED ON BOAT

When trailering a boat with the outboard motor attached, always disconnect the fuel line from the portable fuel tank.

### *Tiller Handle Type*

#### STEERING FRICTION ADJUSTER



Tighten the steering friction adjuster to prevent the outboard motor from moving while trailering the boat.

### *LRT Type (remote control)*

Use an outboard motor support bar to prevent the outboard motor from moving while trailering the boat. Refer to the manufacturer's instructions for using an outboard motor support bar.

### *All Types*

The preferred method is to leave the engine in the normal running position, but if there is insufficient road clearance, you can tilt the outboard motor using a commercially available outboard motor support bar available through your dealer. Refer to the manufacturer's instructions for using an outboard motor support bar.



**OUTBOARD MOTOR SUPPORT BAR**  
(commercially available)

## WITH OUTBOARD MOTOR REMOVED FROM BOAT

Secure the outboard motor in either the vertical or horizontal position shown on p. 105.

## TAKING CARE OF UNEXPECTED PROBLEMS

### ENGINE WILL NOT START

Possible Cause	Correction
Clip not inserted in emergency stop switch.	Insert clip in emergency stop switch.
Gearshift lever or control lever not in neutral position.	Shift to neutral (p. 51 or p. 54).
Throttle grip not in START position (tiller handle type).	Turn throttle grip to START position (p. 52).
Fast idle lever raised (remote control/side-mount type).	Leave fast idle lever in the START position (p. 55).

## TAKING CARE OF UNEXPECTED PROBLEMS

---

### ENGINE WILL NOT START

Possible Cause	Correction
Out of fuel.	Refuel (p. 89).
Fuel vent closed (portable fuel tank – optional equipment).	Open fuel filler cap vent (p. 39).
Fuel hose not primed.	Squeeze priming bulb (p. 50).
Fuel filter or fuel tank filter clogged.	Replace fuel filters (p. 92 and 96).
Bad fuel; outboard motor stored without draining gasoline, or refueled with bad gasoline.	Drain fuel tank and vapor separator (p. 102). Refill with fresh gasoline (p. 89).

## TAKING CARE OF UNEXPECTED PROBLEMS

---

### ENGINE WILL NOT START

Possible Cause	Correction
Battery connections loose or corroded.	Clean and tighten battery connections.
Battery discharged.	Recharge battery.
Fuse(s) blown.	Replace fuse(s) (p. 112).
Spark plugs faulty, fouled, or improperly gapped.	Gap or replace spark plugs (p. 85).
Spark plugs wet with fuel (flooded engine).	Dry and reinstall spark plugs. Start engine with the throttle open.
Fuel system malfunction, fuel pump failure, ignition malfunction, stuck valves, starter malfunction, switch malfunction, or electrical problem in the starting circuit, etc.	Use starting procedure (p. 51, 54); if engine still will not start, then take outboard motor to an authorized TOHATSU dealer, or refer to the service manual.

## TAKING CARE OF UNEXPECTED PROBLEMS

---

### HARD STARTING OR STALLS AFTER STARTING

Possible Cause	Correction
Throttle grip not in START position (tiller handle type).	Turn throttle grip to START position (p. 52).
Fast idle lever raised (remote control/side-mount type).	Leave fast idle lever in the START position (p. 55).
Fuel vent closed (portable fuel tank – optional equipment).	Open fuel filler cap vent (p. 39).
Fuel hose not primed.	Squeeze priming bulb (p. 50).
Fuel filter or fuel tank filter clogged.	Replace fuel filters (p. 92 and 96).
Bad fuel; outboard motor stored without draining gasoline, or refueled with bad fuel.	Drain fuel tank and vapor separator (p. 102). Refill with fresh gasoline (p. 89).



## TAKING CARE OF UNEXPECTED PROBLEMS

---

### HARD STARTING OR STALLS AFTER STARTING

Possible Cause	Correction
Spark plugs faulty, fouled, or improperly gapped.	Gap or replace spark plugs (p. 85).
Fuel system malfunction, fuel pump failure, ignition malfunction, etc.	Take outboard motor to an authorized TOHATSU dealer, or refer to the service manual.

### ENGINE OVERHEATS

Possible Cause	Correction
Water intake screens clogged.	Clean water intake screens.
Faulty thermostat or water pump.	Take outboard motor to an authorized TOHATSU dealer, or refer to the service manual.

# TAKING CARE OF UNEXPECTED PROBLEMS

## FUSES

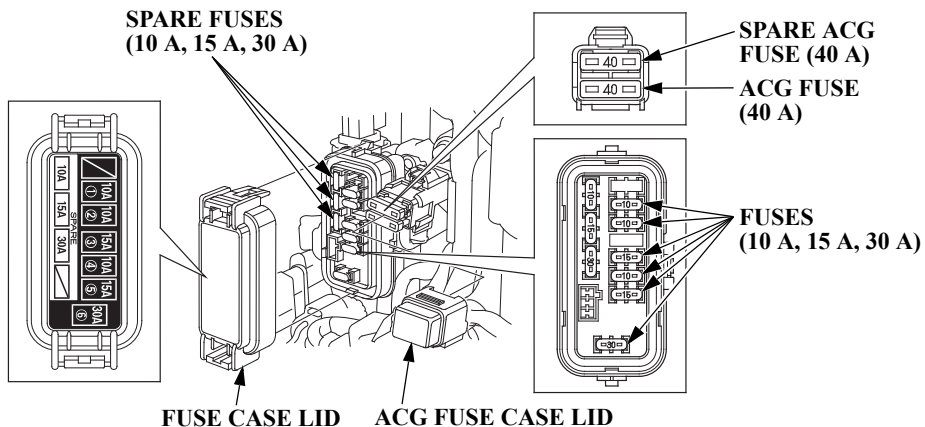
### Electric Starter Will Not Operate

The 10A, 15A, and 30A fuses protect the electric starter relay and related circuits.

The 10A (2) fuse protects the ignition switch and related circuits. If this fuse blows, the engine will not start or run, and the power trim/tilt switch will not activate the trim/tilt mechanism.

### Battery Will Not Charge

A 40A ACG fuse protects the alternator circuit. If the ACG fuse blows, the engine will not charge the battery. Refer to p. 114.



Fuse No.	Rating	Connected Components
	40 A	Alternator (regulator rectifier-battery charging)
(1)	10 A	Fuel pump (high pressure side)
(2)	10 A	Power trim/tilt relay, Main relay, Warning buzzer, Indicator, Starter solenoid switch, each meters
(3)	15 A	PGM-FI ECM, Fuel injectors, CKP sensor 1, 2
(4)	10 A	Data link connector, HO2 sensor heater, Indicator cable
(5)	15 A	PGM-FI ECM, Ignition coils
(6)	30 A	Gathered fuse (No. 1, 3, 4, 5 Fuses)

## TAKING CARE OF UNEXPECTED PROBLEMS

### Fuse Replacement

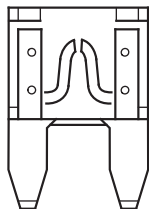
#### NOTICE

Disconnect the battery cable at the battery negative (-) terminal before replacing the fuse.

Failure to do so may cause a short circuit.

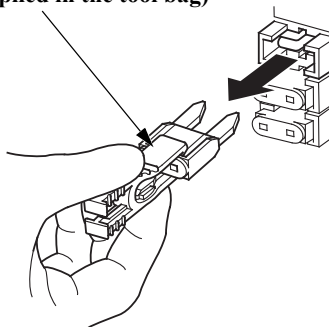
### Main Fuse

1. Stop the engine and disconnect the battery cable.
2. Remove the fuse case lid.



**BLOWN FUSE**

#### FUSE PULLER (supplied in the tool bag)



3. Use the fuse puller from the tool kit to remove the fuses. If a fuse is blown, install a replacement fuse of the same specified rating. The outboard motor is supplied with spare fuses in the fuse holder.

#### MAIN FUSE RATINGS:

10 A, 15 A, 30 A

4. Reinstall the fuse case lid, and the engine cover.

5. Reconnect the battery.

#### NOTICE

Never use a fuse with a rating greater than specified. Serious damage to the electrical system could result.

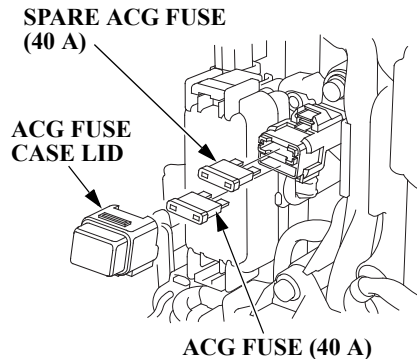
If a blown fuse is found, try to determine and correct the electrical problem that caused the blown fuse. An uncorrected electrical problem may cause the fuse to blow again.

If fuses continue to blow, take the outboard motor to an authorized TOHATSU dealer for inspection and service, or refer to the service manual.

## TAKING CARE OF UNEXPECTED PROBLEMS

---

### *ACG Fuse*



1. Stop the engine and disconnect the battery cable.
2. Remove the engine cover.
3. Remove the fuse case lid.
4. Remove the old fuse.

5. Install a new fuse with the “40A.”

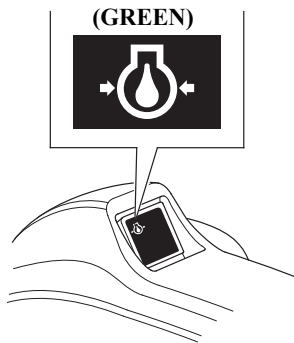
ACG FUSE RATING: 40 A

6. Be sure the fuse case lid is securely locked.
7. Reinstall the engine cover.
8. Reconnect the battery.

## TAKING CARE OF UNEXPECTED PROBLEMS

### OIL PRESSURE INDICATOR TURNS OFF AND ENGINE SPEED IS LIMITED

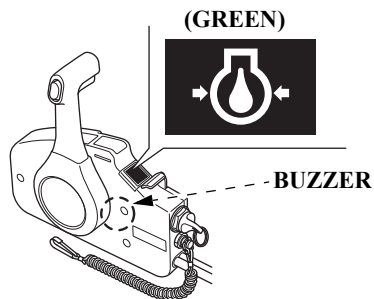
#### *Tiller Handle Type (optional equipment)*



(internal buzzer)

#### *LRT Type (remote control)*

#### *Side-Mount Control Type (optional equipment)*



If oil pressure becomes low, the oil pressure indicator will turn off, and the engine protection system limits engine speed. If you are at cruising speed, engine speed will decrease automatically.

The oil pressure indicator is also equipped with a buzzer that sounds when the oil pressure indicator turns off.

Low oil pressure may be the result of a low engine oil level, or there may be a problem with the engine lubrication system.

## TAKING CARE OF UNEXPECTED PROBLEMS

If the throttle is closed suddenly after full throttle operation, engine speed may drop below the specified idle rpm, and that could activate the engine protection system momentarily.

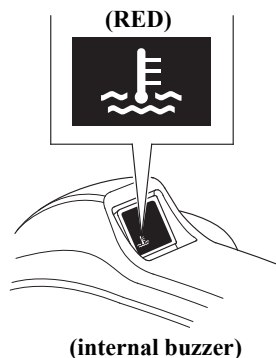
If low oil pressure activates the engine protection system, stop the engine, check the engine oil level (p. 81), and add oil if needed.

With the engine oil at the recommended level, restart the engine. If the lubrication system is OK, the oil pressure indicator should come on within 30 seconds, and the engine will respond normally to throttle control lever operation.

If the engine protection system remains activated after 30 seconds, return to the nearest boat landing, and have the outboard motor inspected by an authorized TOHATSU dealer.

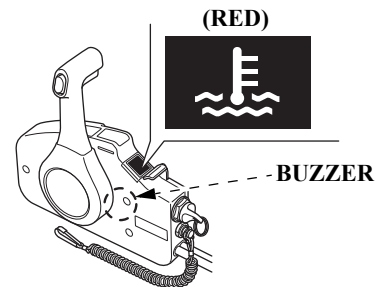
### OVERHEAT INDICATOR COMES ON AND ENGINE SPEED IS LIMITED

#### *Tiller Handle Type (optional equipment)*



#### *LRT Type (remote control)*

#### *Side-Mount Control Type (optional equipment)*



## TAKING CARE OF UNEXPECTED PROBLEMS

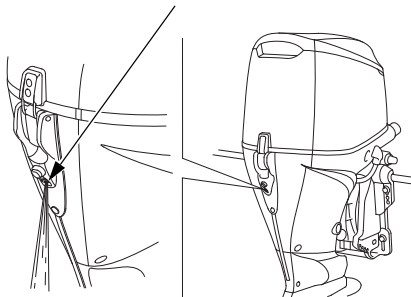
If the engine overheats, the overheat indicator will come on, and the engine will stop in 20 seconds after the engine protection system limits engine speed. If you are at cruising speed, engine speed will decrease automatically.

All types are equipped with a buzzer that sounds when the overheat indicator comes on.

Engine overheating may be the result of restricted water intake screens, or there may be a problem with the cooling system thermostat or water pump.

If the engine is stopped after running at full throttle, and then restarted soon afterward, that could activate the engine protection system momentarily.

### COOLING SYSTEM INDICATOR



If overheating activates the engine protection system, idle the engine in neutral, and check the cooling system indicator.

If water is flowing from the cooling system indicator, continue idling for 30 seconds. If the cooling system is OK, the overheat indicator should go off within 30 seconds, and the engine will respond normally to throttle control lever operation.

If there is no water flowing from the cooling system indicator, stop the engine, and tilt the outboard motor to inspect the water intake screens. If restricted, clean the water intake screens, return the outboard motor to the running position, restart the engine, and check the cooling system indicator again.

If there is still no water flowing from the cooling system indicator, or if the engine protection system remains activated after 30 seconds, return to the nearest boat landing, and have the outboard motor inspected by an authorized TOHATSU dealer.

## TAKING CARE OF UNEXPECTED PROBLEMS

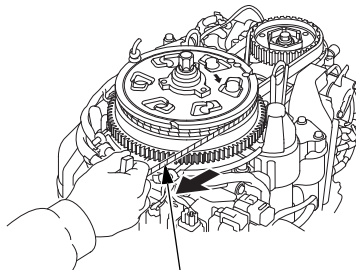
### SUBMERGED OUTBOARD MOTOR

A submerged outboard motor must be serviced immediately after it is recovered from the water in order to minimize corrosion.

If there is a TOHATSU dealership nearby, take the outboard motor to the dealer immediately. If you are far from a dealer, proceed as follows:

1. Remove the engine cover, and rinse the outboard motor with fresh water to remove salt water, sand, mud, etc.
2. Drain the vapor separator as described on p. 102.

3. Change the engine oil as described on p. 83 – 84. If there was water in the engine crankcase, or if the used engine oil showed signs of water contamination, then a second engine oil change should be performed after running the engine for half an hour.



**EMERGENCY STARTER ROPE**

4. Remove the alternator cover (p. 57).

5. Remove the spark plugs (p. 85), and remove the emergency stop switch clip from the emergency stop switch. Pull the emergency starter rope, rotate the flywheel a few revolutions to completely expel any water from the engine's cylinders.

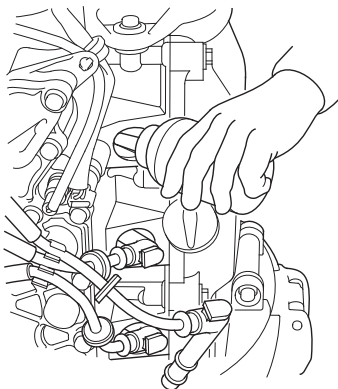
If the engine was running when it submerged, there may be mechanical damage, such as bent connecting rods. If the engine binds when cranked, do not attempt to run the engine until it has been repaired.

#### **NOTICE**

*When cranking the engine with an open ignition circuit (spark plugs removed from the ignition circuit), remove the clip from the emergency stop switch to prevent possible damage to the ignition system.*



## TAKING CARE OF UNEXPECTED PROBLEMS



6. Pour a teaspoon of engine oil into each spark plug hole, and then pull the emergency starter rope several times to lubricate the inside of the cylinders.
7. Reinstall the spark plugs and alternator cover, and put the emergency stop switch clip into the emergency stop switch.

8. Attempt to start the engine (be sure the water level is at least 2 inches above the antiventilation plate).

If you are changing the oil filter while the outboard motor is out of the water, use commercially available ear muffs and water hose to supply water.

### NOTICE

*Running the outboard motor without sufficient cooling water will damage the water pump and overheat the engine.*

If the engine fails to start, remove the spark plugs and dry them, then reinstall the spark plugs and attempt to start the engine again.

If the engine starts, and no mechanical damage is evident, continue to run the engine for a half hour or longer. Be sure the water level is at least 2 inches (5 cm) above the antiventilation plate to avoid overheating and water

pump damage.

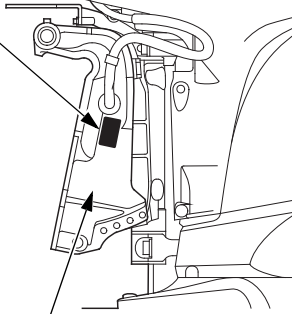
9. As soon as possible, take the outboard motor to an authorized TOHATSU dealer for inspection and service.

# TECHNICAL INFORMATION

## Serial Number Locations

Record the product identification number, the engine serial number, and the date of purchase in the space provided on this page. You will need these numbers when ordering parts, and when making technical or warranty inquiries.

**PRODUCT  
IDENTIFICATION  
NUMBER**



**LEFT STERN BRACKET**

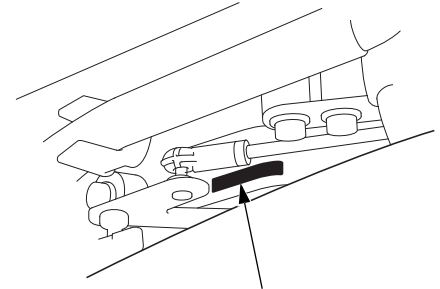
The product identification number is stamped on a plate attached on the left side of the stern bracket.

Product identification number:

---

Date of purchase:

---



**ENGINE SERIAL NUMBER**

The engine serial number is stamped on the upper right side of the engine.

Engine serial number:

---

### Battery

For complete information, refer to the battery manufacturer's instructions.

### Minimum Requirements

12V – 52Ah/5HR (65Ah/20HR)  
(CCA420A)

#### NOTICE

- *Be careful to avoid connecting the battery in reverse polarity, as this will damage the battery-charging system in the outboard motor.*
- *Do not disconnect the battery cables while the engine is running. Disconnecting the cables while the engine is running will damage the outboard motor's electrical system.*

- *Battery cable extension: Extending the original battery cable will cause the battery voltage to drop due to the increased length of the cable and number of connections. This voltage drop may cause the buzzer to sound momentarily when engaging the starter motor and may prevent the engine from starting. If the engine starts and the buzzer sounds momentarily, there may be barely sufficient voltage reaching the engine.*

**WARNING:** Battery posts, terminals, and related accessories contain lead and lead compounds.  
**Wash your hands after handling.**

### Emission Control System Information

#### Source of Emissions

The combustion process produces carbon monoxide, oxides of nitrogen, and hydrocarbons. Control of hydrocarbons and oxides of nitrogen is very important because, under certain conditions, they react to form photochemical smog when subjected to sunlight. Carbon monoxide does not react in the same way, but it is toxic.

TOHATSU utilizes appropriate air/fuel ratios and other emissions control systems to reduce the emissions of carbon monoxide, oxides of nitrogen, and hydrocarbons.

#### Ignition Timing Control System

The system constantly adjusts the ignition timing, reducing the amount of HC, CO, and NO<sub>x</sub> produced.

## TECHNICAL INFORMATION

---

### *PGM-FI System*

The PGM-FI system uses sequential multiport fuel injection. It has two subsystems: Engine Control, and Fuel Control. The Engine Control Module (ECM) uses various sensors to determine how much air is going into the engine. It then controls how much fuel to inject under all operating conditions.

### *The U.S. and California Clean Air Acts*

EPA and California regulations require all manufacturers to furnish written instructions describing the operation and maintenance of emission control systems.

The following instructions and procedures must be followed in order to keep the emissions from your TOHATSU engine within the emission standards.

### *Tampering and Altering*

#### **NOTICE**

*Tampering is a violation of Federal and California law.*

Tampering with or altering the emission control system may increase emissions beyond the legal limit. Among those acts that constitute tampering are:

- Removal or alteration of any part of the intake, fuel, or exhaust systems.
- Alterations that would cause the engine to operate outside its design parameters.

### ***Problems That May Affect Emissions***

If you are aware of any of the following symptoms, have your engine inspected and repaired by your servicing dealer.

- Hard starting or stalling after starting
- Rough idle
- Misfiring or backfiring under load
- Afterburning (backfiring)
- Black exhaust smoke or high fuel consumption

### ***Replacement Parts***

The emission control systems on your TOHATSU engine were designed, built, and certified to conform with EPA and California emission regulations. We recommend the use of TOHATSU Genuine parts whenever you have maintenance done. These original-design replacement parts are manufactured to the same standards as the original parts, so you can be confident of their performance. The use of replacement parts that are not of the original design and quality may impair the effectiveness of your emission control system.

A manufacturer of an aftermarket part assumes the responsibility that the part will not adversely affect emission performance. The manufacturer or rebuilder of the part must certify that use of the part will not result in a failure of the engine to comply with emission regulations.

### ***Maintenance***

Follow the maintenance schedule on p. 76. Remember that this schedule is based on the assumption that your machine will be used for its designed purpose. Sustained high-load operation, or use in unusual conditions, will require more frequent service.

## TECHNICAL INFORMATION

---

### Star Label

US, Puerto Rico, and US Virgin Islands

A Star label was applied to this outboard motor in accordance with the requirements of the California Air Resources Board.

### *The Star Label means Cleaner Marine Engine*

This engine has been certified as a:



### **The Symbol for Cleaner Marine Engines:**

**Cleaner Air and Water** - for healthier lifestyle and environment.

**Better Fuel Economy** - burns up to 30 - 40 percent less gas and oil than conventional carbureted two-stroke engines, saving money and resources.

**Longer Emission Warranty** - protects consumer for worry-free operation.

## TECHNICAL INFORMATION



**One Star  
Low  
Emission**

The one-star label identifies engines that meet the Air Resources Board's Personal Watercraft and Outboard marine engine 2001 exhaust emission standards. Engines meeting these standards have 75% lower emissions than conventional carbureted two-stroke engines. These engines are equivalent to the U.S. EPA's 2006 standards for marine engines.



**Two Stars  
Very Low  
Emission**

The two-star label identifies engines that meet the Air Resources Board's Personal Watercraft and Outboard marine engine 2004 exhaust emission standards. Engines meeting these standards have 20% lower emissions than One Star-Low Emission engines.



**Three Stars  
Ultra Low  
Emission**

The three-star label identifies engines that meet the Air Resources Board's Personal Watercraft and Outboard marine engine 2008 exhaust emission standards or the Sterndrive and Inboard marine engine 2003-2008 exhaust emission standards. Engines meeting these standards have 65% lower emissions than One Star-Low Emission engines.



**Four Stars  
Super Ultra  
Low Emission**

The four-star label identifies engines that meet the Air Resources Board's Sterndrive and Inboard marine engine 2009 exhaust emission standards. Personal Watercraft and Outboard marine engines may also comply with these standards. Engines meeting these standards have 90% lower emissions than One Star-Low Emission engines.

Cleaner Watercraft - Get the Facts  
1-800-END-SMOG  
[www.arb.ca.gov](http://www.arb.ca.gov)

# TECHNICAL INFORMATION

## Specifications

MODEL	BFT60A
Description code	BBFJ
Type	LRT
Overall length	30.6 in (777 mm)
Overall width	16.4 in (417 mm)
Overall height	55.0 in (1,397 mm)
Transom height (when transom angle is 12°)	20.5 in (521 mm)
Dry mass [weight]*	243 lbs (110 kg)
Rated power	44.7 kW (60 HP)
Full throttle range	5,000 – 6,000 rpm
Engine type	4 stroke OHC in-line 3 cylinder
Displacement	60.9 cu-in (998 cm <sup>3</sup> )
Spark plug gap	0.031 – 0.035 in (0.8 – 0.9 mm)
Steering control system	Outboard motor-mounted, remote control
Starter system	Electric starter
Ignition system	Full transistor battery
Lubrication system	Trochoid pump pressure lubrication

Specified oil	Engine: API standard (SG, SH, SJ) SAE 10W-30 Gear case: API standard (GL-4) SAE 90 Hypoid gear oil
Oil capacity	Engine: 2.7 US qt (2.6 L) without oil filter change 2.9 US qt (2.7 L) with oil filter change Gear case: 0.45 US qt (0.43 L)
CARB star label	ULTRA · LOW EMISSION
D.C. output	12V – 20A
Cooling system	Water cooling with thermostat
Exhaust system	Water exhaust
Spark plugs	LMAR6C-9 (NGK)
Fuel pump	Low pressure side: mechanical type High pressure side: electrical type
Fuel	Unleaded gasoline (86 pump octane or higher)
Gear change	Dog type (Forward-Neutral-Reverse)
Steering angle	50° right and left
Trim angle	– 4° to 16° (when Transom angle is 12°)
Tilt up angle	60° (when Transom angle is 12°)
Transom angle	8°, 12°, 16°, 20°, 24°

\* Without battery cable, with propeller

These TOHATSU outboard motors are power rated in accordance with NMMA procedures and using the ICOMIA standard 28/23.



# TECHNICAL INFORMATION

## Specifications

MODEL	BFW60A
Description code	BBFJ
Type	LRT
Overall length	31.2 in (792 mm)
Overall width	16.4 in (417 mm)
Overall height	57.2 in (1,453 mm)
Transom height (when transom angle is 12°)	20.9 in (531 mm)
Dry mass [weight]*	262 lbs (119 kg)
Rated power	44.7 kW (60 HP)
Full throttle range	5,000 – 6,000 rpm
Engine type	4 stroke OHC in-line 3 cylinder
Displacement	60.9 cu-in (998 cm <sup>3</sup> )
Spark plug gap	0.031 – 0.035 in (0.8 – 0.9 mm)
Steering control system	Outboard motor-mounted, remote control
Starter system	Electric starter
Ignition system	Full transistor battery
Lubrication system	Trochoid pump pressure lubrication

Specified oil	Engine: API standard (SG, SH, SJ) SAE 10W-30 Gear case: API standard (GL-4) SAE 90 Hypoid gear oil
Oil capacity	Engine: 2.7 US qt (2.6 L) without oil filter change 2.9 US qt (2.7 L) with oil filter change Gear case: 1.00 US qt (0.95 L)
CARB star label	ULTRA · LOW EMISSION
D.C. output	12V – 20A
Cooling system	Water cooling with thermostat
Exhaust system	Water exhaust
Spark plugs	LMAR6C-9 (NGK)
Fuel pump	Low pressure side: mechanical type High pressure side: electrical type
Fuel	Unleaded gasoline (86 pump octane or higher)
Gear change	Dog type (Forward-Neutral-Reverse)
Steering angle	50° right and left
Trim angle	– 4° to 16° (when Transom angle is 12°)
Tilt up angle	60° (when Transom angle is 12°)
Transom angle	8°, 12°, 16°, 20°, 24°

\* Without battery cable, with propeller

These TOHATSU outboard motors are power rated in accordance with NMMA procedures and using the ICOMIA standard 28/23.

## TECHNICAL INFORMATION

---

### *BFT60A/BFW60A Tune up*

Spark plug gap	0.031 – 0.035 in (0.8 – 0.9 mm)	See page 86
Idle speed	850 ± 50 rpm	See service manual
Valve clearance	Intake: 0.17 ± 0.02 mm Exhaust: 0.28 ± 0.02 mm	See service manual
Other specifications	No other adjustment is needed	

# CONSUMER INFORMATION

## Emission Control System Warranty

Your new Tohatsu outboard engine complies with both the U.S. EPA and State of California emission regulations. Tohatsu Corporation provides the same emission warranty coverage for outboard engines sold in all 50 states. In all areas of the United States your outboard engine must be designed, built, and equipped to meet the U.S. EPA and California Air Resources Board emission standard for spark ignited marine engines.

### APPLICABILITY

This emission control system warranty is applicable to the following models only:  
BFT60A/BFW60A, BFT75A/BFT90A, BFT115A/  
BFT150A, BFT200A/BFT225A and BFT250A

## CALIFORNIA EMISSIONS CONTROL WARRANTY STATEMENT YOUR WARRANTY RIGHTS AND OBLIGATIONS

The California Air Resources Board (CARB) and Tohatsu Corporation are pleased to explain the emission control system warranty on your 2018 Tohatsu outboard engine. In California, new outboard engines must be designed, built, and equipped to meet the state's stringent anti-smog standards.

Tohatsu Corporation must warrant the emission control system on your outboard engine for the periods of time listed below provided there has been no abuse, neglect, or improper maintenance of your outboard engine.

Your emission control system may include parts such as the carburetor or fuel injection system, the ignition system, catalytic converter, canisters, clamps, filters, fuel caps, fuel lines, fuel tanks, valves, and vapor hoses. Also included may be hoses, belts, connectors, and other emission-related assemblies.

Where a warrantable condition exists, Tohatsu Corporation will repair your outboard engine at no cost to you including diagnosis, parts, and labor.

## CONSUMER INFORMATION

---

### MANUFACTURER'S WARRANTY COVERAGE:

Select emission control parts from model year 2010 and later outboard engines are warranted for five years or 250 hours of use, whichever first occurs; or the length of the Tohatsu Limited Warranty Information, whichever is longer. The evaporative emission control system from model year 2010 and later outboard engines are warranted for two years with no limit on hours of use, or the length of the Tohatsu Limited Warranty Information, whichever is longer, from the date of delivery to the retail purchaser. However, warranty coverage based on the hourly period is only permitted for engines equipped with hour meters as defined in § 2441 (a)(13)\* or their equivalent. If any emission-related part on your engine is defective under warranty, the part will be repaired or replaced by Tohatsu Corporation. See the Emission Control System Warranty Parts table on page 133 for parts description.

\* California Code of Regulations

### OWNER'S WARRANTY RESPONSIBILITIES:

As the outboard engine owner, you are responsible for the performance of the required maintenance listed in your owner's manual.

Tohatsu Corporation recommends that you retain all receipts covering maintenance on your outboard engine, but Tohatsu Corporation cannot deny warranty solely for the lack of receipts or your failure to ensure the performance of all scheduled maintenance.

As the outboard engine owner, you should, however, be aware that Tohatsu Corporation may deny you warranty coverage if your outboard engine or a part has failed due to abuse, neglect, improper maintenance, or unapproved modifications.

You are responsible for presenting your outboard engine to a Tohatsu authorized dealer as soon as a problem exists. The warranty repairs will be completed in a reasonable amount of time, not to exceed 30 days.

If you have any questions regarding your warranty rights and responsibilities, you should contact

Tohatsu America Corporation  
670 South Freeport Parkway  
Suite 120 Coppell, TX 75019  
Telephone: (214) 420-6440

### WARRANTY COVERAGE:

See Manufacturer's Warranty Coverage above for warranty coverage terms. This warranty is transferred to each subsequent purchaser for the duration of the warranty period. Warranty repairs will be made without charge for diagnosis, parts, and labor. All defective parts replaced under this warranty become the property of Tohatsu Corporation. A list of warranty parts is on page 133. Normal maintenance items, such as spark plugs and filters, that are on the warranted parts list are warranted up to their required replacement interval only. Tohatsu Corporation is also liable for damages to other engine components caused by a failure of any warranted part during the warranty period.

Only Tohatsu Corporation approved replacement parts will be used in the performance of any warranty repairs, and they will be provided without charge to the owner. You may use any replacement part as defined in § 1900 (b)(20)\* in the performance of any maintenance or repairs. Tohatsu cannot deny coverage under the emission warranty solely for use of non-Tohatsu replacement parts or service performed at a location other than an authorized Tohatsu dealership; however, use of a part that is not functionally identical to the original equipment part in any respect that may in any way affect emissions (including

durability) could result in denial of coverage.

If a non-Tohatsu replacement part is used in the repair or maintenance of your engine, and an authorized Tohatsu dealer determines it causes the failure of a warranted part, your warranty claim may be denied. If the part in question is not related to the reason that your engine requires repair, your claim will not be denied.

\* California Code of Regulations

### TO OBTAIN WARRANTY SERVICE:

You must take your Tohatsu outboard engine, along with your warranty registration card or other proof of original purchase date, at your expense, to any Tohatsu dealer that is authorized by Tohatsu Corporation to sell and service that Tohatsu product during its normal business hours. Claims for repair or adjustment found to be caused solely by defects in material or workmanship will not be denied because the engine was not properly maintained and used. If you are unable to obtain warranty service, or are dissatisfied with the warranty service you received, contact the owner of the dealership involved. Normally this should resolve your problem. However, if you require further assistance, write or call Tohatsu Corporation.

## CONSUMER INFORMATION

---

### EXCLUSIONS:

Failures other than those resulting from defects in material or workmanship are not covered by this warranty. This warranty does not extend to emission control systems or parts which are affected or damaged by owner abuse, neglect, improper maintenance, misuse, misfueling, improper storage, and/or collision, the incorporation of, or use of, unsuitable attachments, or the unauthorized alteration of any part.

This warranty does not cover replacement of expendable maintenance items made in connection with required maintenance service after the items first scheduled replacement as listed in the maintenance section of the product (outboard motor) owner's manual, such as: spark plugs and filters.

### DISCLAIMER OF CONSEQUENTIAL DAMAGE AND LIMITATION OF IMPLIED WARRANTIES:

Tohatsu Corporation disclaims any responsibility for incidental or consequential damages such as loss of time or the use of outboard engine, or any commercial loss due to the failure of the equipment; and any implied warranties are limited to the duration of this written warranty. This warranty is applicable only where the California or U.S. EPA emission control system warranty regulation is in effect.

# CONSUMER INFORMATION

## EMISSION CONTROL SYSTEM WARRANTY PARTS:

SYSTEMS COVERED BY THIS WARRANTY:	PARTS DESCRIPTION:	LENGTH OF WARRANTY:
Evaporative	Portable fuel tank, Outboard internal fuel tank, Fuel cap, Fuel hoses, Fuel hose joint, Vapor separator, and Carbon canister, All other parts not listed that may affect the evaporative emissions control system	Five years or 250 hours of use, whichever first occurs; or the length of the Tohatsu Limited Warranty Information, whichever is longer.
Fuel Metering	Carburetor assembly, Throttle body, Fuel injector, Fuel pump, Fuel pressure regulator, Throttle position sensor, Intake air temperature sensor, Engine temperature sensor, Manifold absolute pressure sensor, Idle air control valve, Barometric pressure sensor, Fuel line solenoid valve, Intake manifold, Intake valves, and Oxygen sensor or Air fuel ratio sensor	
Air Induction	Air intake duct, Intake manifold tuning valve (Intake air bypass control valve)	
Ignition	Flywheel magneto, Ignition pulse generator, Ignition coil assembly, Ignition control module, Engine control module, Crankshaft position sensor, Spark plug cap, Spark plug*, Knock sensor, and Camshaft position sensor	
Lubrication System	Oil pump and internal parts	
Crankcase Emission Control	Crankcase breather tube, Positive crankcase ventilation valve, Oil filler cap	
Exhaust	Exhaust manifold and Exhaust valves	
Valve Control System	Rocker arm oil control valve	
Miscellaneous Parts	Tubing, fittings, seals, gaskets, and clamps associated with these listed systems.	
* Covered up to the first required replacement only. See the <i>Maintenance Schedule</i> on page 76 and 77.		

# INDEX

Alternator (ACG) Indicator .....	35	Electric Starter Will Not Operate .....	112
Anodes .....	43	EMERGENCY	
Replacement .....	96	STARTER ROPE .....	75
ARE YOU READY TO GET UNDERWAY? .....	44	STARTING .....	57
Battery .....	121	Emergency Stop Switch Clip and Emergency Stop	
Will Not Charge .....	112	Switch	
BEFORE OPERATION .....	44	Side-Mount Control Type .....	25
BREAK-IN PROCEDURE .....	47	Tiller Handle Type .....	20
CLEANING AND FLUSHING .....	99	Emission Control System Information .....	121
Common Controls .....	28	Emission Control System Warranty .....	129
COMPONENT AND CONTROL LOCATIONS .....	12	Engine	
CONSUMER INFORMATION .....	129	Cover	
CONTROL AND FEATURE IDENTIFICATION		Latches (front/rear) .....	31
CODES .....	11	REMOVAL AND INSTALLATION .....	80
CONTROLS .....	20	Oil	
CONTROLS AND FEATURES .....	11	Change .....	83
Cooling System Indicator .....	37	Level Check .....	81
CRUISING .....	66	Recommendations .....	84
		OVERHEATS .....	111
		WILL NOT START .....	107



<p>Fast Idle Lever .....27</p> <p>Fuel</p> <p style="padding-left: 20px;">Filler Cap Vent Knob (optional equipment) .....39</p> <p style="padding-left: 20px;">Filter/Water Separator Inspection and Service .....92</p> <p style="padding-left: 20px;">Gauge (optional equipment) .....34</p> <p style="padding-left: 20px;">HOSE CONNECTIONS .....49</p> <p style="padding-left: 20px;">PRIMING .....50</p> <p style="padding-left: 20px;">Priming Bulb .....39</p> <p style="padding-left: 20px;">RECOMMENDATIONS .....91</p> <p>Fuse Replacement .....113</p> <p>FUSES .....112</p> <p>Gearshift Lever .....22</p> <p>Gearshift/Throttle Control Lever .....26</p> <p>GEARSHIFT AND THROTTLE OPERATION .....63</p> <p>HARD STARTING OR STALLS AFTER</p> <p style="padding-left: 20px;">STARTING .....110</p> <p>HOISTING THE OUTBOARD MOTOR .....104</p>	<p>Ignition Switch</p> <p style="padding-left: 20px;">Side-Mount Control Type .....24</p> <p style="padding-left: 20px;">Tiller Handle Type .....20</p> <p>IMPORTANT SAFETY INFORMATION .....7</p> <p>INDICATORS .....35</p> <p>INFREQUENT OR OCCASIONAL USE .....50</p> <p>INSTRUMENTS .....33</p> <p>IS YOUR OUTBOARD MOTOR</p> <p style="padding-left: 20px;">READY TO GO? .....44</p> <p>Lubrication Points .....87</p> <p>MAINTENANCE SAFETY .....74</p> <p>MAINTENANCE SCHEDULE .....76</p> <p>Malfunction Indicator .....35</p> <p>MANUAL RELIEF VALVE .....30, 80</p> <p>MOORING, BEACHING, LAUNCHING .....71</p> <p>MULTIPLE OUTBOARD MOTORS .....72</p> <p>NMEA2000® interface coupler .....39</p>
--	---

# INDEX

---

Oil Pressure Indicator .....	36	SAFE OPERATING PRECAUTIONS .....	47
OIL PRESSURE INDICATOR TURNS OFF AND		SAFETY LABEL LOCATION .....	9
ENGINE SPEED IS LIMITED .....	115	Serial Number Locations .....	120
Operating Hour Notification System .....	40	SERVICING YOUR OUTBOARD MOTOR .....	73
OPERATION .....	47	SHALLOW WATER OPERATION .....	70
OTHER FEATURES .....	38	Spark Plug Service .....	85
OUTBOARD MOTOR SAFETY .....	7	Specifications .....	126
Overheat Indicator .....	37	Star Label .....	124
OVERHEAT INDICATOR COMES ON AND		STARTING THE ENGINE .....	51
ENGINE SPEED IS LIMITED .....	116	Tiller Handle Type .....	51
Overrev Limiter .....	38	LRT Type	
		Side-Mount Control Type .....	54
PORTABLE FUEL TANK (optional equipment) ....	38, 48	STEERING .....	65
Portable Fuel Tank and Tank Filter Cleaning (optional		Steering Friction Adjuster .....	23, 65
equipment) .....	95	STOPPING THE ENGINE .....	60
Power Tilt Switch (engine pan) .....	29	Emergency Engine Stopping .....	60
Power Trim/Tilt Switch .....	28	Normal Engine Stopping .....	61
Propeller Replacement .....	97	STORAGE .....	101
		Engine Oil .....	104
REFUELING .....	89	Fuel .....	101
REMOVAL FROM STORAGE .....	105	STORAGE PRECAUTIONS .....	104
Rudder Meter (optional equipment) .....	34	SUBMERGED OUTBOARD MOTOR .....	118

---

Tachometer (optional equipment) .....	33
TAKING CARE OF UNEXPECTED PROBLEMS ...	107
TECHNICAL INFORMATION .....	120
THE IMPORTANCE OF MAINTENANCE .....	73
Throttle	
Friction Adjuster .....	22
Grip .....	21
Tiller Handle Height/Angle Adjustment	
(Tiller Handle Type) .....	46
Tilt Lock Lever .....	31
TOOL KIT and OWNER'S MANUAL .....	75
TRANSPORTING .....	106
WITH OUTBOARD MOTOR INSTALLED	
ON BOAT .....	106
WITH OUTBOARD MOTOR REMOVED	
FROM BOAT .....	106
Trim Meter (optional equipment) .....	33
Trim Tab .....	32
TRIM TAB ADJUSTMENT .....	78
TRL (Trolling) Control Switch (optional equipment) ...	30
Trolling Speed Control (optional equipment) .....	68

© 2017 Honda Motor Co., Ltd. – All Rights Reserved

PGM-FI is a trademark of Honda Motor Co., Ltd.  
registered in Japan and other countries.

OWNER'S MANUAL

# BFT 60A BFW 60A

TOHATSU CORPORATION

5-4, Azusawa 3-Chome, Itabashi - Ku  
Tokyo 174-0051, Japan

Tel: +81-3-3966-3117 Fax: +81-3-3966-2951

[www.tohatsu.com](http://www.tohatsu.com)



31ZZ3T12  
00X31-ZZ3-T120

® PRINTED IN JAPAN